



SILVERLINE®

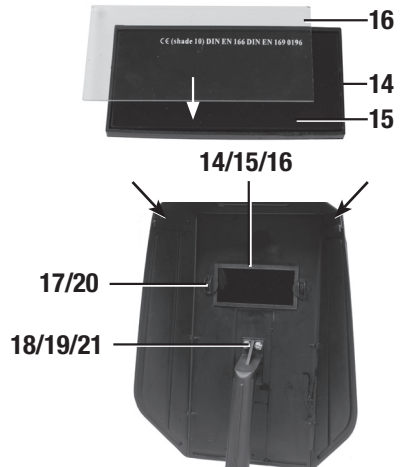
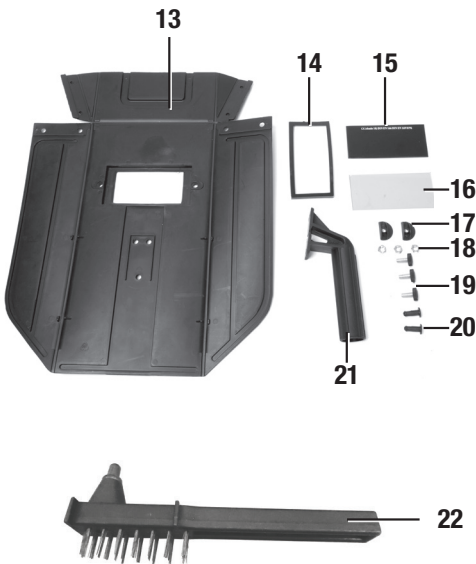
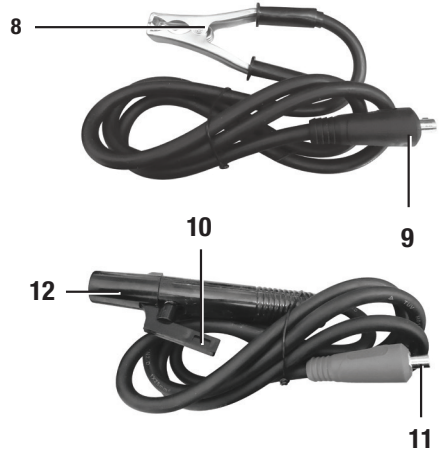
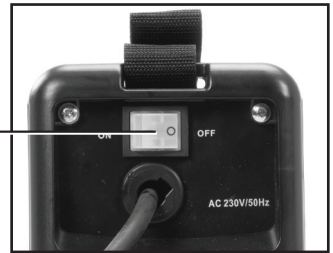
100A MMA Inverter Arc Welder Kit

25 - 100A



- GB** 100A MMA Inverter Arc Welder Kit
- FR** Ensemble poste à souder MMA 100 A avec onduleur
- DE** MMA Inverter-Lichtbogenschweißgerät, 100 A
- ES** Soldador de arco inverter 100 A, MMA
- IT** Kit Saldatrice MMA 100 A ad Invertitore
- NL** MMA Inverter Arc Welder Kit







SILVERLINE®

100A MMA Inverter Arc Welder Kit

25 - 100A

English	4
Français	10
Deutsch	16
Español	22
Italiano	28
Nederlands.....	34

Introduction

Thank you for purchasing this Silverline tool. This manual contains information necessary for safe and effective operation of this product. This product has unique features and, even if you are familiar with similar products, it is necessary to read this manual carefully to ensure you fully understand the instructions. Ensure all users of the tool read and fully understand this manual.

Description of Symbols

The rating plate on your tool may show symbols. These represent important information about the product or instructions on its use



Wear hearing protection
Wear eye protection
Wear breathing protection
Wear head protection



Wear hand protection



Read instruction manual



Do not use in rain or damp environments



Risk of electrocution



Danger of toxic welding fumes



Danger of ultraviolet radiation



Danger hot Surfaces



Danger of Fire



Caution!



Class I construction (protective earth)



Conforms to relevant legislation and safety standards



Environmental Protection

Waste electrical products should not be disposed of with household waste. Please recycle where facilities exist. Check with your local authority or retailer for recycling advice

Specification

Input voltage:.....	230V~ 50Hz
Mains connection:.....	16A
Input current:.....	230V: 17.2A (peak), 12.1A (effective)
Output current range:.....	.25-100A
Rated duty cycle:.....	50% @ 100A, 60% @ 91A, 100% @ 71A
No load output voltage:.....	.60V
Output voltage:.....	22.8V(71A), 24V(100A)
Electrode rod size:.....	1.6 – 3.2mm
Insulation class:.....	H
Ingress protection:.....	IP21S
Welding thickness range (steel):.....	1 – 6mm
Protection class:.....	⊕
Electrode cable length:.....	2.0m
Earth cable length:.....	1.5m
Power cable length:.....	2.0m
Dimensions (L x W x H):.....	350 x 140 x 240mm
Weight:.....	4.6kg

As part of our ongoing product development, specifications of Silverline products may alter without notice.

General Safety

WARNING! When using electric power tools, basic safety precautions should always be followed to reduce the risk of fire, electric shock and personal injury including the following safety information. Read all these instructions before attempting to operate this product and save these instructions for future use.

WARNING: This appliance is not intended for use by persons (including children) with reduced, physical or mental capabilities or lack of experience or knowledge unless they have been given supervision or instruction concerning use of the appliance by a person responsible for their safety. Children must be supervised to ensure that they do not play with the appliance.

CAUTION: Use the power tool, accessories and tool bits etc. in accordance with these instructions, taking into account the working conditions and the work to be performed. Use of the power tool for operations different from those intended could result in a hazardous situation.

The term "power tool" in the warnings refers to your mains-operated (corded) power tool or battery-operated (cordless) power tool.

- **Keep work area clear** - Cluttered areas and benches invite injuries
- **Consider work area environment**
 - Do not expose tools to rain
 - Do not use tools in damp or wet locations
 - Keep work area well lit
 - Do not use tools in the presence of flammable liquids or gases
- **Guard against electric shock** - Avoid body contact with earthed or grounded surfaces (e.g. pipes, radiators, ranges, refrigerators)
- **Keep other persons away** - Do not let persons, especially children, not involved in the work touch the tool or the extension cord and keep them away from the work area
- **Store idle tools** - When not in use, tools should be stored in a dry locked-up place, out of reach of children
- **Do not force the tool** - It will perform the job better and safer at the rate for which it was intended
- **Use the right tool** - Do not force small tools to do the job of a heavy duty tool
 - Do not use tools for purposes for which they are not intended; for example do not use circular saws to cut tree limbs or logs

- 8 - **Dress appropriately**
- Do not wear loose clothing or jewellery, which can be caught in moving parts
 - Suitable safety footwear is recommended when working outdoors.
 - Wear protective covering to contain long hair

- 9 - **Use protective equipment**
- Use safety glasses
 - Use face or dust mask if working operations create dust

WARNING: Not using protective equipment or appropriate clothing can cause personal injury or increase the severity of an injury.

- 10 - **Connect dust extraction equipment** - If the tool is provided for the connection of dust extraction and collecting equipment, ensure these are connected and properly used
- 11 - **Do not abuse the power cable** - Never pull the power cable to disconnect it from the socket. Keep the power cable away from heat, oil and sharp edges. Damaged or entangled power cables increase the risk of electric shock
- 12 - **Secure work** - Where possible use clamps or a vice to hold the work. It is safer than using your hands
- 13 - **Do not overreach** - Keep proper footing and balance at all times
- 14 - **Maintain tools with care**
- Keeping cutting tools sharp and clean makes the tool easier to control and less likely to bind or lock in the workpiece
 - Follow instructions for lubricating and changing accessories
 - Inspect tool power cables periodically and have them repaired by an authorised service facility if damaged
 - Inspect extension cables periodically and replace if damaged
 - Keep handles dry, clean and free from oil and grease

WARNING: Many accidents are caused by poorly maintained power tools.

- 15 - **Disconnect tools** - Disconnect tools from the power supply when not in use, before servicing and when changing accessories such as blades, bits and cutters

WARNING: The use of accessories or attachments not recommended by the manufacturer may result in a risk of injury to persons.

- 16 - **Remove adjusting keys and wrenches** - Form the habit of checking to see that keys and adjusting wrenches are removed from the tool before switching it on
- 17 - **Avoid unintentional starting** - Ensure switch is in "off" position when connecting to a mains socket, inserting a battery pack, or when picking up or carrying the tool

WARNING: Unintended starting of a tool can cause major injuries.

- 18 - **Use outdoor extension leads** - When the tool is used outdoors, use only extension cords intended for outdoor use and so marked. Use of an extension cable suitable for outdoor use reduces the risk of electric shock

- 19 - **Stay alert**
- Watch what you are doing, use common sense and do not operate the tool when you are tired
 - Do not use a power tool while you are under the influence of drugs, alcohol or medication

WARNING: A moment of inattention while operating power tools may result in serious personal injury.

- 20 - **Check damaged parts**
- Before further use of tool, it should be carefully checked to determine that it will operate properly and perform its intended function
 - Check for alignment of moving parts, binding of moving parts, breakage of parts, mounting and any other conditions that may affect its operation
 - A guard or other part that is damaged should be properly repaired or replaced by an authorised service centre unless otherwise indicated in this instruction manual
 - Have defective switches replaced by an authorised service centre

WARNING: Do not use the tool if the on/off switch does not switch the tool on and off. The switch must be repaired before the tool is used.

- 21 - **Have your tool repaired by a qualified person** - This electric tool complies with the relevant safety rules. Repairs should only be carried out by qualified persons, otherwise this may result in considerable danger to the user

WARNING: When servicing use only identical replacement parts.

WARNING: If the power cable is damaged it must be replaced by the manufacturer or an authorised service centre.

- 22 - **Power tool mains plugs must match the mains socket** - Never modify the plug in any way. Do not use any adapter plugs with earthed (grounded) power tools. Unmodified plugs and matching sockets will reduce risk of electric shock
- 23 - **If operating a power tool outside use a residual current device (RCD)** - Use of an RCD reduces the risk of electric shock

NOTE: The term "residual current device (RCD)" may be replaced by the term "ground fault circuit interrupter (GFCI)" or "earth leakage circuit breaker (ELCB)".

WARNING: Before connecting a tool to a power source (mains switch power point receptacle, outlet, etc.) be sure that the voltage supply is the same as that specified on the nameplate of the tool. A power source with a voltage greater than that specified for the tool can result in serious injury to the user, and damage to the tool. If in doubt, do not plug in the tool. Using a power source with a voltage less than the nameplate rating is harmful to the motor.

Welding Safety

- Welding produces toxic fumes and can reduce oxygen levels in the work area. Always work in a well-ventilated area. Avoid inhaling welding fumes, use a suitable respirator where appropriate
- Some metal parts may have zinc, lead, cadmium or other coatings. Attempting to weld through these coatings can produce highly toxic fumes. Always remove all coatings before welding
- If you experience irritation to the lungs, throat or eyes whilst welding, STOP IMMEDIATELY and seek fresh air
- Welding produces extremely high levels of UV light. To prevent eye damage, ALWAYS use an approved welding face mask. Under no circumstances look directly at the arc
- The light produced when arc welding can be attractive to look at, especially to children. Always prevent other people from viewing the arc welding light with unprotected eyes
- If there is a possibility of other people approaching the work area, erect suitable screening to protect them from the light / glare
- Always replace the welder face mask glass as soon as it shows any signs of wear or damage
- To prevent skin damage, ALWAYS wear a suitable fire-proof long sleeved jacket, heat proof gloves, and cap. Keep covered up
- Always remove any flammable materials (e.g. cigarette lighter, matches) from your clothing before welding
- Always keep a fire extinguisher nearby when welding
- Sparks generated while welding can ignite flammable materials easily in the welding area, so it is important to remove flammable materials before commencing welding
- Only weld when the work area and all workpieces are dry
- Do not weld sealed containers (e.g. fuel tanks, air tanks, oil drums). The heat generated from welding can cause sealed containers to burst without warning
- Be aware of transferred heat. Metal parts can conduct heat away from the work area and cause ignition of flammable materials
- Be aware that welded parts will remain hot for some time after joining. Allow to cool completely before handling, or leaving unattended
- Never weld where flammable gases, liquids or dust are present
- Ensure that there is always a responsible person nearby to alert you to any fire, or to call help in an emergency
- Use of welding machines will create powerful magnetic fields. This may disturb the operation of sensitive electronic equipment. Pacemaker wearers should consult a doctor before using a welding machine
- Do not overload power supply. Check that your mains wiring is capable of delivering the required current safely (see Specification)

Product Familiarisation

1	Carrying Handle
2	On/Off Switch
3	Current Dial
4	Electrode Socket
5	Earth Socket
6	Over-Heat Indicator
7	Power Indicator
8	Earth Clamp
9	Earth Cable Connector
10	Electrode Clamp
11	Electrode Cable Connector
12	Electrode Rod Slot
13	Welding Mask
14	Filter Frame
15	Welding Glass
16	Splatter Shield
17	Frame Clips (x 2)
18	Handle Nuts (x 3)
19	Handle Bolts (x 3)
20	Frame Pins (x 2)
21	Mask Handle
22	Hammer Brush

Intended Use

Single-phase manual metal arc welder using electrode rods (sticks) to create welds in ferrous metals. Requires a European 16A CEE 7/3 or CEE 7/5 earthed mains socket. Alternatively the CEE 7/7 mains plug can be removed so the welder can be used with a suitable high-current 16A mains connection in the UK.

Unpacking Your Tool

- Carefully unpack and inspect your tool. Fully familiarise yourself with all its features and functions
- Ensure that all parts of the tool are present and in good condition. If any parts are missing or damaged, have such parts replaced before attempting to use this tool

Before Use

⚠ WARNING: Ensure the tool is disconnected from the power supply and cool before attaching or changing any accessories, or making any adjustments.

WARNING: Always ensure that there is an appropriate fire extinguisher near to the work area.

Assembling the mask

Assemble the mask as shown.

- Use the mask clips (arrowed) to assemble the flat-packed Welding Mask (13) into its normal shape
- Fit the Mask Handle (21) using the Handle Nuts and Bolts (18 & 19). The Mask Handle must be inside the Welding Mask body to protect the operator's hand from splatter

- Assemble the Filter Frame (14) with Welding Glass (15) and Splatter Shield (16) as shown. Ensure the Splatter Shield protects the Welding Glass from weld splatter. If the Welding Glass is fitted as the external layer it may be damaged by splatter and this could allow dangerous ultra-violet light to reach the operator's eyes
- Fit the glass assembly into the Welding Mask using the Frame Pins (20) and Frame Clips (17)

⚠ Connecting to mains

Note: This tool is earthed and must only be connected to mains with an earth connection. Do not attempt to use it without an earth connection.

Warning: This welder requires a 16A mains connection and is not suitable for connection to a UK 13A mains socket when used at 100A. For this reason it is not supplied with a pre-fitted UK converter plug.

This arc welder is supplied pre-fitted with a CEE 7/7 earthed 16A mains plug suitable for Germany and France, and other countries that adopt the same CEE 7/3 and 7/5 standards for mains sockets. If you do not have a suitable socket available compatible with a CEE 7/7 plug it will need to be replaced by a suitable plug or replacement cable with plug for your country. Depending on legislation in your country this may require fitting by a qualified electrician. Alternatively a converter may be available to adapt the CEE 7/7 plug, but it must be earthed and capable of handling 16A.

Note: For UK use, consult a qualified electrician with regards to installing a high current socket suitable for a welder that requires 16A. A suitable 16A plug (589694) and socket (571518) are available from your Silverline stockist, however the socket must be installed by a qualified electrician. It may be preferable to fit a 32A plug (427717) and socket (457049) to allow your welder to be upgraded to a more powerful model at a later date.

Do not attempt to use this welder without an earth connection

Do not connect this welder to a mains socket that is not rated to 16A or more

Do not use an extension cable that is not capable of handling 16A, and always fully unwind cable

IMPORTANT: It is recommended to use a plug and socket arrangement so the welder can be fully isolated when necessary

Notes;

- The welder must be connected to a consumer unit with a built-in RCD, using a circuit protected by an RCD
- Please refer to the Specification for details of the maximum current required by this welder
- If in any doubt, do not attempt to connect or use this welder until a professional electrician has been consulted

Welding rod selection

- In order to produce a good quality weld, the correct type of welding rod must be used. Welding rods are available in a variety of thicknesses and materials, and with a range of coatings
- Refer to the rod manufacturer's guidelines to select the correct rod for your requirements

Guide to current and electrode selection

Electrode/rod diameter	Welding current
1.6mm	40-50A
2.0mm	50-70A
2.5mm	75-100A
3.2mm	110-130A
4.0mm	140-200A

Operation

⚠ WARNING: ALWAYS wear a welding mask, gloves and heat-resistant clothing when working with this tool.

⚠ WARNING: Toxic fumes can be given off by welding and suitable respiratory protection may be required. Read the 'welding safety' section in this manual and contact your national health and safety government body for additional information. In the UK information is available from www.hse.gov.uk/welding

WARNING: Always inspect your machine for damage or wear. Pay particular attention to leads and cables. If any damage is found, DO NOT USE.

Note: Before use, check that all casings or covers are properly closed and secured.

Note: Position the welder to ensure that it will not move, or tip, in use. Ensure that there is at least 500mm of clear space around the welder, to allow proper ventilation.

Switching on and off

- Switch the welding machine on by moving the On/Off Switch (2) (located at rear of welder) into the 'I' position
- Switch the welding machine off by moving the On/Off Switch into the 'O' position

Current selection

- In order to achieve a good quality weld, the Current Dial (3) must be set correctly
- Turn the Current Dial clockwise to increase the welding current; turn the knob anti-clockwise to reduce the welding current

Duty Cycle

- This machine is not designed to weld constantly at higher current settings. Excessive continuous welding will cause overheating and damage to internal components
- This machine is equipped with a thermal cut-out. If the machine is overloaded, or used beyond its duty cycle, it will automatically shut down
- The duty cycle (see Specification) defines the number of minutes in every ten minutes that the machine can weld
- For a duty cycle of 30%, the machine may be used for 3 minutes then must be allowed 7 minutes to cool
- If the duty cycle is exceeded, the machine will automatically cut out
- Using the machine at reduced current settings and maintaining good ventilation will maximise the duty cycle
- When the duty cycle limit is reached, the Over-Heat Indicator (6) will illuminate. The light will cut out when the machine has cooled and is ready to be used again
- As a precaution, it is recommended the machine is allowed to cool for a further three minutes after the Over-Heat Indicator has switched off, to ensure the cool-down temperature has been met

Weld preparation

- Ensure the joining surfaces of the workpiece are clean, free from rust, paint, or other finishes
- All parts should be well supported, with a gap of approximately 1mm where the weld is intended to be formed
- Check that there are no flammable materials in the vicinity of the work area
- Attach the Earth Clamp (6) to a cleaned area of one of the parts, as near as practical to where the joint will be

Note: Improve connectivity between the Earth Clamp and the workpiece by wrapping a piece of scrap copper wire, with the insulation removed, around the teeth of the clamp.

- Squeeze lever, to open the Electrode Clamp (10). Place an electrode into the jaws, and release. The electrode should be firmly gripped with the clamp contacting the clean metal part of the rod (not the coated part)
- Connect the machine to the mains power supply

Welding

WARNING: Using a welder correctly is a technical skill. An incorrectly-used welder can be highly dangerous. The information below is general guidance only. If you are not entirely confident in your ability to use this tool safely DO NOT USE.

1. Move the On/Off Switch (2) into the 'I' position (located at rear of welder)
2. Hold the Electrode Clamp (10) in one hand, and the Welding Mask (13) in the other
3. Position the rod at an angle of approximately 80° to the surface, with the tip approximately 30mm away from the metal
4. Hold the Welding Mask over your face and tap the rod against the metal
5. An arc should strike between the metal and the tip. Try to maintain a distance between the welding rod and the workpiece equivalent to the diameter of the rod. Maintain the arc for one-to-two seconds, then move the rod away
6. Allow the weld to cool slightly and move the mask away from your face. If the settings were correct, a round 'spot' weld should have formed
7. If the weld has not fully penetrated the metal, increase the current setting. If a hole has been made in the metal, reduce the current setting

8. Practice making 'spot' welds until you are confident in using the machine and selecting settings
9. In order to form a 'seam' weld, maintain the arc for longer and slowly move the rod along the path of the joint. The speed at which the rod is moved is crucial to achieving a good weld
 - If the machine settings are correct, the arc should be steady and should produce a crackling sound. Be aware that you will have to gradually move the electrode clamp closer to the metal as the rod is used up
 - Once the weld bead is complete, remove excess and splatters using a chipping hammer or wire brush. Do not attempt to weld over beads unless properly cleaned
 - Creating neat, high quality welds is a skill that takes time to master. Practice and good preparation will help to make satisfactory welds

Accessories

- A range of other accessories and consumables, including Welders Helmet (868520, 934295 and 757060), Welders Chipping Hammer (515858), Welders Apron (633505) and Welders Gauntlets (282389), is available from your Silverline stockist. Spare parts can be obtained from toolsparesonline.com

Maintenance

⚠ WARNING: ALWAYS disconnect from the power supply before carrying out any inspection, maintenance or cleaning.

- If the mains cable becomes damaged or worn it must be replaced by a qualified technician, with a cable equal or superior in current capacity to the original fitted cable
- If the internal fuse blows, it must be replaced with a fuse of exactly the same type and rating as originally fitted. If the replacement fuse blows immediately, it is likely to indicate a fault condition and a service technician should be consulted immediately

General inspection

- Regularly check that all the fixing screws are tight
- Inspect the supply cord of the tool, prior to each use, for damage or wear. Repairs should be carried out by an authorised Silverline service centre. This advice also applies to extension cords used with this tool

Cleaning

- Keep your tool clean at all times. Dirt and dust will cause internal parts to wear quickly, and shorten the machine's service life. Clean the body of your machine with a soft brush, or dry cloth. If available, use clean, dry, compressed air to blow through the ventilation holes
- Clean the tool casing with a soft damp cloth using a mild detergent. Do not use alcohol, petrol or strong cleaning agents
- Never use caustic agents to clean plastic parts

Storage

- Store this tool carefully in a secure, dry place out of the reach of children

Disposal

Always adhere to national regulations when disposing of power tools that are no longer functional and are not viable for repair.

- Do not dispose of power tools, or other waste electrical and electronic equipment (WEEE), with household waste
- Contact your local waste disposal authority for information on the correct way to dispose of power tools

Troubleshooting

Problem	Possible cause	Solution
No power	Mains circuit breaker operated or fuse blown	Check circuit is capable of required current then reset mains circuit
	Internal fuse blown	Have fuse replaced by a qualified electrician
During use the welder stops working	Duty cycle exceeded and Over-Heat Indicator (6) is illuminated	Leave the welder for 20-30 minutes to cool down
Poor weld	Incorrect current setting	Adjust Current Dial (3)
	Wrong electrode rod/stick	Replace electrode rod/stick
	Poor earth connection on workpiece	Check Earth Clamp (8). Ensure there is no grease, paint or other surface coating that would cause a bad electrical connection with the workpiece

Silverline Tools Guarantee

This Silverline product comes with a 3 year guarantee

Register this product at www.silverlinetools.com within 30 days of purchase in order to qualify for the 3 year guarantee. Guarantee period begins according to the date of purchase on your sales receipt.

Registering your purchase

Registration is made at silverlinetools.com by selecting the Guarantee Registration button. You will need to enter:-

- Your personal details
- Details of the product and purchase information

Once this information is entered your guarantee certificate will be created in PDF format for you to print out and keep with your purchase.

Terms & Conditions

Guarantee period becomes effective from the date of retail purchase as detailed on your sales receipt.

PLEASE KEEP YOUR SALES RECEIPT

If this product develops a fault within 30 days of purchase, return it to the stockist where it was purchased, with your receipt, stating details of the fault. You will receive a replacement or refund.

If this product develops a fault after the 30 day period, return it to:

Silverline Tools Service Centre

PO Box 2988

Yeovil

BA21 1WU, UK

The guarantee claim must be submitted during the guarantee period.

You must provide the original sales receipt indicating the purchase date, your name, address and place of purchase before any work can be carried out.

You must provide precise details of the fault requiring correction.

Claims made within the guarantee period will be verified by Silverline Tools to establish if the deficiencies are related to material or manufacturing of the product.

Carriage will not be refunded. Items for return must be in a suitably clean and safe state for repair, and should be packaged carefully to prevent damage or injury during transportation. We may reject unsuitable or unsafe deliveries.

All work will be carried out by Silverline Tools or its authorized repair agents.

The repair or replacement of the product will not extend the period of guarantee

Defects recognised by us as being covered by the guarantee shall be corrected by means of repair of the tool, free of charge (excluding carriage charges) or by replacement with a tool in perfect working order.

Retained tools, or parts, for which a replacement has been issued, will become the property of Silverline Tools.

The repair or replacement of your product under guarantee provides benefits which are additional to and do not affect your statutory rights as a consumer.

What is covered:

The repair of the product, if it can be verified to the satisfaction of Silverline Tools that the deficiencies were due to faulty materials or workmanship within the guarantee period.

If any part is no longer available or out of manufacture, Silverline Tools will replace it with a functional replacement part.

Use of this product in the EU.

What is not covered:

Silverline Tools does not guarantee repairs required as a result of:

Normal wear and tear caused by use in accordance with the operating instructions eg blades, brushes, belts, bulbs, batteries etc.

The replacement of any provided accessories drill bits, blades, sanding sheets, cutting discs and other related items.

Accidental damage, faults caused by negligent use or care, misuse, neglect, careless operation or handling of the product.

Use of the product for anything other than normal domestic purposes.

Change or modification of the product in any way.

Use of parts and accessories which are not genuine Silverline Tools components.

Faulty installation (except installed by Silverline Tools).

Repairs or alterations carried out by parties other than Silverline Tools or its authorized repair agents.

Claims other than the right to correction of faults on the tool named in these guarantee conditions are not covered by the guarantee.

Battery Guarantee

Silverline batteries are guaranteed for 30 days. If a defect occurs on a registered battery during the term of the Battery Guarantee, due to material or manufacturing fault, then Silverline will replace it free of charge. This guarantee does not apply to commercial use nor does it extend to normal wear and tear or damage as a result of accident, abuse or misuse.

CE Declaration of Conformity

The undersigned: Mr Darrell Morris

as authorised by: Silverline Tools

Declares that

This declaration has been issued under the sole responsibility of the manufacturer. The object of the declaration is in conformity with the relevant Union harmonisation Legislation.

Identification code: 846386

Description: 100A MMA/TIG Inverter Arc Welder Kit

Conforms to the following directives and standards:

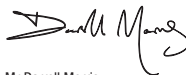
- Low Voltage Directive 2014/35/EU
- EMC Directive 2014/30/EU
- RoHS Directive 2011/65/EU
- EN60974-1:2012
- EN60974-10:2014

Notified body: TÜV SÜD Product Service

The technical documentation is kept by: Silverline Tools

Date: 18/07/2016

Signed:



Mr Darrell Morris

Managing Director

Name and address of the manufacturer:

Powerbox International Limited, Company No. 06897059. Registered address: Powerbox, Boundary Way, Lufton Trading Estate, Yeovil, Somerset BA22 8HZ, United Kingdom.

Introduction

Nous vous remercions d'avoir choisi cet équipement Triton. Ces instructions contiennent les informations nécessaires pour vous en garantir un fonctionnement efficace et en toute sécurité. Veuillez lire attentivement ce manuel pour vous assurer de tirer pleinement avantage des caractéristiques uniques de votre nouvel équipement.

Gardez ce manuel à portée de main et assurez-vous que tous les utilisateurs l'aient lu et bien compris avant toute utilisation. Conservez-le pour toute référence ultérieure.

Description des symboles

La plaque signalétique figurant sur votre outil peut présenter des symboles. Ces symboles constituent des informations importantes relatives au produit ou des instructions concernant son utilisation.



Port de protection auditive
Port de lunettes de sécurité
Port du masque respiratoire
Port du casque



Port de gants



Lire le manuel d'instructions



NE PAS utiliser sous la pluie ou dans un environnement humide !



Risque d'électrocution !



Danger : Fumée toxique due au soudage



Danger de radiations d'ultraviolets



Surfaces chaudes. NE PAS TOUCHER !



Risque d'incendie et d'explosion !



Attention !



Construction de classe I (Mise à la terre)



Conforme à la réglementation et aux normes de sécurité pertinentes.



Protection de l'environnement

Les appareils électriques usagés ne doivent pas être jetés avec les ordures ménagères. Veuillez les recycler dans les centres prévus à cet effet. Pour de plus amples informations, veuillez contacter votre municipalité ou point de vente.

Caractéristiques techniques

Tension d'entrée.....	230 V - 50 Hz
Connexion électrique.....	16 A
Courant d'entrée.....	230 V: 17,2 A (crête), 12,1 A (efficace)
Plage de courant de sortie.....	25 - 100 A
Cycle opératoire nominal.....	15 % @ 100 A, 60% @ 91 A, 100 % @ 71 A
Tension de sortie à vide.....	60 V
Tension de sortie.....	22,8 V (71 A), 24 V (100 A)
Taille de l'électrode.....	1,6 - 3,2 mm
Classe d'isolation.....	H
Indice de protection.....	IP21S
Plage d'épaisseur de soudure (acier).....	1 - 6 mm
Classe de protection.....	⊕
Longueur du câble de l'électrode.....	2,0 m
Longueur du câble de mise à la terre.....	1,5 m
Longueur du câble d'alimentation.....	2,0 m
Dimensions (L x l x H).....	365 x 140 x 240 mm
Poids.....	4,6 kg

Du fait de l'évolution constante de nos produits, les spécifications des produits Silverline peuvent changer sans notification préalable.

Consignes générales de sécurité

AVERTISSEMENT ! Veuillez lire l'intégralité des consignes de sécurité et des instructions. Le non-respect de ces consignes et instructions peut entraîner un risque de choc électrique, d'incendie et/ou se traduire par des blessures graves.

AVERTISSEMENT : Cet appareil n'est pas conçu pour être utilisé par des personnes (enfants compris) ayant des capacités physiques ou mentales réduites, ou n'ayant pas la connaissance ou l'expérience requise, à moins d'être sous la supervision d'une personne responsable de leur sécurité et d'avoir reçu les instructions nécessaires. Les enfants ne doivent pas s'approcher et jouer avec cet appareil.

ATTENTION : Utiliser l'appareil électrique, les accessoires et outils à monter conformément à ces instructions, en tenant compte des conditions de travail et de la tâche à réaliser. Toute utilisation d'un appareil électrique autre que celle pour laquelle il a été conçu peut entraîner des situations à risque.

L'expression « appareil électrique » employée dans les présentes consignes recouvre aussi bien les appareils filaires à brancher sur le secteur que les appareils sans fils fonctionnant sous batterie.

- Maintenir une zone de travail propre.** Des zones encombrées et mal éclairées sont sources d'accidents.
- Prendre en compte la zone de travail :**
 - Ne pas exposer les outils à la pluie,
 - Ne pas utiliser les outils dans des endroits humides,
 - Travailler dans une zone bien éclairée,
 - Ne pas utiliser d'outils électriques dans des environnements explosifs, tels qu'à proximité de liquides, de gaz ou de poussières inflammables.
- Éviter les décharges électriques :** Éviter le contact corporel avec les surfaces mises à la terre telles que tuyaux, radiateurs, cuisinières et réfrigérateurs.
- Éloigner les personnes aux alentours.** Ne laisser aucune personne dont la présence n'est pas nécessaire, surtout les enfants, s'approcher de la zone de travail et d'être en contact avec l'appareil.
- Ranger les appareils électriques inutilisés** dans un endroit sûr, sec et hors de portée des enfants.
- Ne pas forcer sur l'appareil électrique.** Un appareil électrique adapté et employé au rythme pour lequel il a été conçu permettra de réaliser un travail de meilleure qualité et dans de meilleures conditions de sécurité

7. **Utiliser l'appareil électrique approprié au travail à effectuer.** Ne pas utiliser de petits outils pour de tâches lourdes. N'utilisez pas l'outil pour une tâche pour laquelle il n'a pas été prévu.
8. **Porter des vêtements appropriés.**
 - Ne pas porter de vêtements amples ou des bijoux pendants qui peuvent être happés par les pièces en rotation.
 - Le port de chaussures antidérapantes est recommandé en extérieur.
 - Attacher ou protéger les cheveux longs.
9. **Porter un équipement de protection approprié.**
 - Porter une protection oculaire.
 - Porter un masque à poussières lors de travaux créant de la poussière.

ATTENTION : Ne pas porter d'équipements de protection ou de vêtements appropriés peut engendrer et aggraver des blessures.

10. **Brancher un système d'extraction de la poussière :** si l'appareil est pourvu de dispositifs destinés au raccord d'équipements d'extraction et de récupération de la poussière/sciure, s'assurer qu'ils soient bien fixés et utilisés correctement.
11. **Ne pas maltraiter le cordon électrique.** Ne jamais utiliser le cordon électrique pour porter, tirer ou débrancher l'appareil. Protéger le cordon électrique de la chaleur, du contact avec l'essence, des bords tranchants et pièces rotatives. Un cordon électrique endommagé ou entortillé accroît le risque de décharge électrique.
12. **Immobiliser votre travail.** Si possible, utiliser des serre-joints ou un étai pour maintenir la pièce de travail. C'est plus sûr et efficace que de tenir avec la main.
13. **Ne pas essayer d'atteindre une zone hors de portée.** Se tenir toujours en position stable permettant de conserver l'équilibre.
14. **Veiller à l'entretien des appareils électriques.**
 - Veiller à ce que les outils de coupe soient tenus affûtés et propres.
 - Suivre les instructions de lubrification et de changement des accessoires.
 - Vérifier régulièrement les câbles et les faire réparer /remplacer par un centre agréé.
 - Vérifier également l'état des rallonges utilisées.
 - Travailler avec des mains propres (sans graisse ni huile) et sèches.

ATTENTION : de nombreux accidents sont dus à l'utilisation d'appareils électriques mal entretenus

15. **Débrancher l'appareil électrique.** Lorsque l'appareil n'est pas utilisé, ou avant toute opération d'entretien ou de changement d'accessoires, veiller à débrancher l'appareil de sa source d'alimentation.
- ATTENTION :** utiliser des accessoires non recommandés par le fabricant peut engendrer des blessures.
16. **Enlever les clés et outils de réglage.** Prendre l'habitude de retirer ces outils avant de mettre l'appareil en marche.
17. **Éviter tout démarrage accidentel ou intempestif.** S'assurer que l'interrupteur marche-arrêt soit en position d'arrêt avant de brancher l'appareil sur l'alimentation secteur ou d'installer la batterie, de prendre l'appareil ou de le transporter.

ATTENTION : des démarrages accidentels peuvent être dangereux.

18. **Usage en extérieur :** Lors d'une utilisation de l'appareil électrique en extérieur, se servir d'une rallonge appropriée à une utilisation en extérieur. Cela réduit le risque de décharge électrique.
19. **Rester vigilant.**
 - Faire preuve de bon sens lors de la manipulation de l'appareil.
 - Ne pas utiliser un appareil électrique lorsque l'on se trouve dans un état de fatigue, ou sous l'influence de drogues, d'alcool ou de médicaments.

ATTENTION : un moment d'inattention pendant l'utilisation d'un outil électrique peut se traduire par des blessures graves.

20. Inspecter les pièces endommagées

- Avant d'utiliser un appareil, toujours vérifier qu'il soit en bon état de marche.
- Vérifier que les éléments rotatifs soient bien alignés et non grippés. S'assurer de l'absence de pièces cassées ou endommagées susceptibles de nuire au bon fonctionnement de l'appareil.
- Une protection ou partie défectueuse doit être réparée ou remplacée par un centre agréé, sauf en cas d'indication du manuel.
- Les interrupteurs défectueux doivent être remplacés par un centre agréé.

ATTENTION : ne pas utiliser un appareil électrique dont la commande ne s'effectue plus par l'interrupteur marche-arrêt. Il est dangereux et doit être réparé.

21. **Ne faire réparer votre appareil électrique que par un réparateur qualifié.** Cet appareil est conforme aux normes de sécurité en vigueur. Cela permet de maintenir la sécurité d'utilisation de l'appareil électrique et d'éviter des risques considérables pour l'utilisateur.

ATTENTION : utiliser uniquement des pièces de rechange identiques.

ATTENTION : si le câble d'alimentation est endommagé, le faire remplacer par un centre agréé.

22. **La prise d'un appareil électrique doit être adaptée à la prise du secteur.** Ne jamais modifier la prise en aucune façon. Ne jamais utiliser d'adaptateur sur la prise électrique d'appareil mis à la terre. Des prises non modifiées, adaptées aux boîtiers de prise de courant, réduiront le risque de décharge électrique.

23. **Si une utilisation de l'appareil électrique dans un environnement humide ne peut être évitée, utiliser une alimentation protégée par un disjoncteur différentiel.** L'utilisation d'un disjoncteur différentiel réduit le risque de décharge électrique.

ATTENTION : Avant de brancher un appareil sur une source d'alimentation (prise secteur, groupe électrogène, etc.) assurez-vous que la tension fournie soit la même que celle spécifiée sur la plaque de l'appareil. Une source d'alimentation avec une tension supérieure à celle indiquée sur l'appareil peut engendrer de sérieuses blessures pour l'utilisateur et endommager l'appareil. En cas de doute, ne branchez pas l'appareil. Une source d'alimentation avec une tension inférieure à celle indiquée sur l'appareil est néfaste pour le moteur.

Consignes de sécurité relatives au soudage

- L'opération de soudage peut produire de la fumée toxique et réduire le taux d'oxygène présent dans la zone de travail. Travaillez toujours dans un endroit bien ventilé. Évitez d'inhaler la fumée émise par la soudure et portez un masque respiratoire lorsque l'activité s'y prête.
- Certaines parties métalliques peuvent être galvanisées ou revêtues de plomb, de cadmium ou d'autres revêtements. Souder sur ces revêtements peut produire de la fumée hautement toxique. Décapez toujours la surface avant de procéder au soudage.
- Si vous ressentez une irritation aux poumons, à la gorge ou aux yeux pendant le soudage, **ARRÊTEZ-VOUS IMMÉDIATEMENT** et sortez à l'air pur.
- Le soudage produit des taux extrêmement élevés d'ultraviolets. Pour éviter d'altérer votre vue, portez TOUJOURS un masque à souder agréé. Ne regardez JAMAIS directement l'arc.
- La lumière éblouissante produite pendant le soudage est attractive à regarder spécialement pour les enfants. Toujours empêcher les autres personnes de regarder cette lumière sans protection oculaire.
- Si d'autres personnes risquent de s'approcher de la zone de travail, installez un écran approprié pour les protéger des ultraviolets / de la lumière éblouissante.
- Toujours remplacer le verre du masque dès qu'il montre des signes d'usure ou d'endommagement.
- Pour éviter les brûlures de la peau, portez TOUJOURS une veste ignifugée à manches longues appropriée, des gants résistants à la chaleur et une casquette. Restez bien couvert.
- Retirez toujours toute source de combustion (par exemple : briquet, allumettes) de vos vêtements avant de souder.
- Gardez toujours un extincteur à proximité de la zone de soudure. Les étincelles et les contacts accidentels peuvent provoquer des incendies.
- Les étincelles produites durant le soudage peut enflammer facilement des matériaux dans la zone de travail. Penser à retirer tous les matériaux inflammables de la zone avant de commencer à souder
- Soudez uniquement lorsque toutes les pièces à souder et la zone de travail sont sèches.
- Ne soudez pas de contenants scellés (par exemple : réservoirs à essence ou à air, citernes à pétrole). La chaleur produite par la soudure peut faire subitement exploser les contenants scellés.
- Soyez conscient de la propagation de la chaleur. Les éléments métalliques peuvent communiquer la chaleur à tout matériel se trouvant à proximité de votre zone de travail, ce qui peut à son tour enflammer des matériaux combustibles.

- Sachez que les pièces soudées resteront chaudes pendant quelques temps après leur soudure. Laissez-les refroidir complètement avant de les manipuler ou de vous en éloigner.
- Ne soudez jamais à proximité de gaz, de liquides ou de poussières inflammables.
- Assurez-vous toujours qu'une personne responsable se trouve à proximité afin de vous avertir en cas d'incendie ou d'appeler de l'aide en cas d'urgence.
- L'utilisation de postes à souder créera des champs magnétiques puissants, susceptibles de perturber le fonctionnement des équipements électroniques sensibles. Il est recommandé que les personnes portant un stimulateur cardiaque consultent un médecin avant d'utiliser un poste à souder.
- Ne surchargez pas l'alimentation secteur. Vérifiez que votre installation électrique peut fournir les courants requis en toute sécurité (voir les caractéristiques techniques).

Descriptif du produit

1	Poignée de transport
2	Interrupteur marche/arrêt
3	Molette de réglage de l'intensité
4	Douille pour l'électrode
5	Prise de terre
6	Témoin lumineux indicateur de surchauffe
7	Témoin de mise sous tension
8	Pince de mise à la masse
9	Connecteur pour câble de terre
10	Pince porte-électrode
11	Connecteur pour câble d'électrode
12	Connexion électrode
13	Masque de soudeur
14	Support de filtre
15	Verre de soudeur
16	Ecran protecteur
17	Agrafes du support (x 2)
18	Ecrous de fixation de la poignée du masque (x 3)
19	Boulons de fixation de la poignée du masque (x 3)
20	Vis de fixation du support (x 2)
21	Poignée du masque
22	Marteau / Brosse

Usage conforme

Poste à souder à l'arc manuel monophasé fonctionnant avec des électrodes (baguettes) pour réaliser des soudures sur métaux ferreux. Nécessite un branchement sur prise de courant européenne avec terre type 16 A CEE 7/3 ou CEE 7/5. Vous pouvez également retirer la fiche secteur CEE 7/7 et utiliser le poste à souder avec une prise de courant haute intensité 16 A adaptée au Royaume Uni.

Déballage

- Déballiez le produit avec soin. Veillez à retirer tout le matériel d'emballage et familiarisez-vous avec toutes les caractéristiques du produit.
- Si des pièces sont endommagées ou manquantes, faites-les réparer ou remplacer avant d'utiliser l'appareil.

Avant utilisation

⚠ AVERTISSEMENT : Débranchez TOUJOURS l'appareil ou coupez-le du secteur, et laissez-le refroidir avant d'y fixer un accessoire ou de procéder à tout réglage.

AVERTISSEMENT : Gardez toujours un extincteur à proximité de la zone de soudage.

Assemblage du masque

Assemblez le masque comme indiqué sur l'illustration.

1. À l'aide des agrafes du masque (indiquées par des flèches), donnez sa forme normale au masque de soudeur (13) fraîchement déballé.
2. Installez la poignée du masque (21) au moyen des écrous et boulons de la poignée (18 & 19). La poignée doit se situer sur l'intérieur du masque de soudeur afin de protéger la main du soudeur des projections.
3. Assemblez le support du filtre (14) avec le verre de soudeur (15) et l'écran protecteur (16) comme indiqué. Si le verre de soudage est monté sur l'extérieur, il risque d'être dégradé par les éclaboussures et de laisser passer les rayons ultraviolets dangereux pour les yeux du soudeur.
4. Installez l'ensemble constitué par le verre et l'écran sur le masque de soudeur au moyen des vis de fixation du support (20) et des agrafes du support (17).

⚠ Branchement sur le secteur

Remarque : Cet appareil est mis à la terre et ne doit être raccordé au secteur que si cette connexion assure une mise à la terre. N'employez pas cet appareil s'il n'est pas branché à la terre.

Attention : Ce poste à souder requière un branchement avec un fusible de 16 A et il n'est pas compatible avec les prises anglaises de 13 A lorsque le poste est réglé à 100 A. Pour cette raison cet appareil n'est pas fourni avec une prise anglaise.

Ce poste à souder est fourni avec une prise CEE 7/7 de 16 A compatible en France et Allemagne. D'autres pays adoptent les standards CEE 7/4 et 7/5 pour les prises. Si vous ne possédez pas de prise compatible CEE 7/7, vous devez remplacer la prise et/ou le câble selon les normes de votre pays. Alternativement vous pouvez utiliser un adaptateur pour accepter une prise CEE 7/7 avec prise de terre et un fusible de 16 A.

Remarque : Pour une utilisation au Royaume-Uni, consultez un électricien pour installer la prise adéquate. Vous pouvez trouver des prises 16 A (589694 et 571518) depuis votre revendeur, sachant qu'elles devront être installées par un électricien qualifié. Pour des modèles plus puissants, utilisez des prises 32 A (427717 et 457049).

Ne pas essayer d'utiliser le poste à souder sans prise de terre

Ne pas brancher le poste à souder sans une prise avec tension de 16 A ou plus

Ne pas utiliser d'extension de câble non compatible avec un courant de 16 A, et toujours dérouler complètement l'extension.

IMPORTANT : Ne pas brancher directement les câbles du poste directement sur les terminaux d'un circuit à haute intensité. Utiliser toujours des prises qui puissent isolées le poste à souder.

Remarques :

- L'appareil doit être branché à une unité pourvue d'un disjoncteur différentiel au moyen d'un circuit protégé par un disjoncteur différentiel.
- Veuillez consulter les Caractéristiques techniques ci-dessus concernant l'intensité maximale requise par cet appareil.
- En cas de doute, n'essayez pas de brancher ou d'utiliser cet appareil sans l'avis d'un électricien qualifié.

Sélection de l'électrode

- Pour obtenir une soudure de bonne qualité, il faut utiliser le bon type d'électrode. Les électrodes sont disponibles dans des matériaux et des diamètres variés, et dans une gamme de revêtements différents.
- Consultez les indications du fabricant des électrodes pour choisir l'électrode qui répondra à vos besoins.

Guide pour le choix du courant et de l'électrode

Diamètre de l'électrode	Intensité de courant pour le soudage
1,6 mm	40 – 50 A
2,0 mm	50 – 70 A
2,5 mm	75 – 100 A
3,2 mm	110 – 130 A
4, mm	140 – 200 A

Consignes d'utilisation

⚠ **AVERTISSEMENT** : Portez toujours l'équipement de protection approprié au travail envisagé. L'utilisation de cet appareil demande l'usage d'un masque de soudeur, de gants, de vêtement résistant à la chaleur et, éventuellement, d'un masque de protection.

⚠ **AVERTISSEMENT** : Des fumées toxiques peuvent s'échapper lors de l'opération de soudage. Pour cette raison, il est parfois recommandé de porter un masque respiratoire. Lisez les "consignes de sécurité relatives au soudage" dispensées dans ce manuel et veuillez-vous adresser à l'organe gouvernemental compétent dans votre pays en matière de santé et de sécurité. Pour le Royaume Uni, des renseignements complémentaires sont disponibles sur www.hse.gov.uk/welding.

AVERTISSEMENT : Inspectez toujours la machine, recherchez les signes de dommages et d'usure. Prêtez une attention toute particulière aux fils électriques et câbles. En cas de dommage, N'UTILISEZ PAS L'APPAREIL.

Remarque : Avant l'utilisation, vérifiez que tous les boîtiers, carters et couvercles soient convenablement fermés.

Remarque : Choisissez avec soin l'emplacement du poste à souder de manière qu'il reste bien immobile et ne puisse se renverser à l'usage. Assurez-vous de maintenir un espace vide d'au moins 50 cm de chaque côté du poste pour garantir la bonne ventilation de l'appareil.

Mise en marche et arrêt

- Allumez l'appareil en faisant passer le bouton On/Off sur la position « 1 ».
- Arrêtez l'appareil en faisant passer le bouton On/Off sur la position « 0 ».

Réglage de la machine

- Pour obtenir une soudure de bonne qualité, la molette de réglage de l'intensité (3) doit être réglée sur la bonne position.
- Tourner la molette de réglage dans le sens des aiguilles d'une montre augmente l'intensité du courant et dans le sens contraire des aiguilles la réduit.

Cycle opératoire

- Cette machine n'est pas conçue pour un usage ininterrompu. Toute opération de soudage excessivement prolongée entraînera une surchauffe et une détérioration des composants internes.
- Cette machine est pourvue d'un coupe-circuit thermique. En cas de surcharge, ou de dépassement du cycle opératoire, elle s'éteindra automatiquement.
- Le cycle opératoire (voir les caractéristiques techniques) définit la durée maximale en minutes, sur une période de dix minutes, pendant laquelle la machine peut fonctionner.
- Dans le cas d'un cycle opératoire de 30 %, la machine peut être utilisée pendant 3 minutes, avec une pause obligatoire de 7 minutes pour le refroidissement.
- Si le cycle opératoire n'est pas respecté, la machine se déconnectera automatiquement.
- Pour profiter au mieux du cycle opératoire, utilisez une configuration électrique faible et une bonne ventilation de la zone de travail.
- Une fois la limite de cycle opératoire atteinte, le voyant de surcharge thermique (4) s'allumera. Il s'éteindra lorsque la machine se sera refroidie et sera de nouveau propre à l'utilisation.
- Par précaution, il est recommandé de laisser refroidir la machine trois minutes supplémentaires après l'extinction du voyant de surcharge thermique pour garantir que la température de refroidissement a bien été atteinte.

Préparation au soudage

- Assurez-vous que les surfaces à joindre sont propres, et qu'elles ne sont pas recouvertes de rouille, de peinture ou de tout autre type de revêtement.
 - Toutes les parties doivent être bien maintenues, en conservant un espace d'environ 1 mm entre les pièces à souder.
 - Assurez-vous qu'il n'y a aucune source inflammable dans le voisinage de la zone de travail.
 - Fixez la pince de mise à la masse (8) sur une partie nettoyée d'une des pièces à souder, aussi près que possible de l'endroit où vous allez réaliser la soudure.
- Remarque** : Renforcez la connectivité entre la pince de masse et la pièce à souder en enroulant du fil de cuivre, sans isolant, autour des dents de la pince.
- Appuyez sur le pour ouvrir la pince porte-électrode (10). Insérez une électrode et relâchez le levier. L'électrode doit être solidement fixée et sa partie métallique (et non pas sa partie recouverte d'un revêtement) doit être en contact avec le porte-électrode.
 - Branchez l'appareil sur la source d'alimentation électrique.

Soudage

AVERTISSEMENT: La bonne utilisation d'un poste à souder est une technique qui s'apprend. Une mauvaise utilisation d'un poste à souder peut être extrêmement dangereuse. Les informations présentées ci-dessous sont uniquement des conseils généraux. Si vous n'êtes pas entièrement certain de votre capacité à utiliser cet outil en toute sécurité, NE L'UTILISEZ PAS.

1. Allumez l'appareil en poussant l'interrupteur marche/arrêt sur la position « 1 ».
2. Saisissez le porte-électrode (8) dans une main, et le masque de soudeur (13) dans l'autre.
3. Positionnez l'électrode à un angle d'environ 80° par rapport à la surface à souder, en maintenant la pointe de l'électrode à environ 30 mm du métal.
4. Placez le masque de soudeur devant votre visage et frottez la pointe de l'électrode sur le métal.
5. Un arc devrait se produire entre le métal et la pointe de l'électrode. Essayez de maintenir la pointe de l'électrode du métal à une distance égale à l'épaisseur du diamètre de l'électrode. Maintenez cet arc pendant 1 à 2 secondes, puis retirez l'électrode.
6. Laissez refroidir légèrement la soudure et enlevez le masque de soudeur. Si les réglages sont corrects, vous devriez avoir un point de soudure rond.
7. Si la soudure n'a pas complètement pénétré le métal, augmentez l'intensité. Si le métal a été percé, réduisez l'intensité.
8. Entraînez-vous à faire des soudures par points jusqu'à ce que vous vous sentiez sûr de vous pour utiliser cet appareil et pour sélectionner les réglages.
9. Pour réaliser un cordon de soudure, déplacez régulièrement l'électrode au-dessus de la surface à souder en conservant l'arc pendant plus longtemps. La vitesse de déplacement de l'électrode est essentielle pour réaliser une bonne soudure.
- Si les réglages de l'appareil sont corrects, l'arc devrait être régulier et devrait produire un crêpement. Sachez qu'il faudra progressivement rapprocher le porte-électrode du métal au fur et à mesure que l'électrode s'use.
- Une fois l'opération de soudage terminée, enlevez les résidus et les éclaboussures engendrés à l'aide d'un marteau à piquer les soudures ou d'une brosse métallique. Ne tentez pas de souder par-dessus ces résidus à moins qu'ils aient été convenablement nettoyés.
- La réalisation de soudures régulières et de haute qualité est une technique dont la maîtrise demande du temps. La pratique et une bonne préparation permettront de réaliser des soudures satisfaisantes.

Accessoires

- Une large gamme d'accessoires et de consommables, parmi lesquels des masques de soudeur (868520, 934295 et 757060), des marteaux à piquer (515858), des tabliers de soudeur (633505) et des gants de soudeur (282389), est disponible chez votre revendeur Silverline. Des pièces de rechange peuvent être obtenues sur tools.silverline.com.

Entretien

⚠ AVERTISSEMENT : Débranchez TOUJOURS l'appareil avant d'effectuer une inspection, son entretien ou son nettoyage.

- Si le câble d'alimentation s'avère être usé ou endommagé, il doit-être remplacé par un technicien qualifié uniquement et le câble de substitution doit avoir une capacité de courant égale ou supérieure à celle du câble d'origine.
- Si le fusible interne saute, il doit être remplacé par un fusible de type et de puissance exactement semblable à celui d'origine. Si le fusible de substitution saute immédiatement, cela indique une défaillance. Vous devez alors consulter l'avis d'un technicien sans plus attendre.

Inspection générale

- Vérifiez régulièrement que toutes les vis soient bien serrées.
- Vérifiez le bon état du câble d'alimentation avant chaque utilisation. En cas d'usure ou d'endommagement, toute réparation doit être effectuée par un centre de réparation agréé Silverline. Ce conseil s'applique également pour les rallonges utilisées avec cet appareil.

Nettoyage

- Veillez à garder cet outil propre en permanence. La saleté et la poussière peuvent entraîner l'usure prématurée des parties internes et raccourcir la durée de vie de l'appareil. Nettoyer l'appareil à l'aide d'une brosse douce ou d'un chiffon sec. Si possible, utilisez de l'air propre et sec sous pression sur les orifices de ventilation.
- Nettoyez le bâti de l'appareil à l'aide d'un chiffon doux humide et d'un détergent doux. N'utilisez ni alcool, ni essence, ni détergent fort.
- N'utilisez jamais d'agent caustique pour nettoyer des pièces en plastique.

Rangement

- Ranger cet outil dans un endroit sûr, sec et hors portée des enfants.

Recyclage

Lorsque l'appareil n'est plus en état de fonctionner et qu'il n'est pas réparable, recyclez-le conformément aux réglementations nationales.

- Ne jetez pas les outils électriques et autres équipements électriques ou électroniques (DEEE) avec les ordures ménagères.
- Contactez les autorités locales compétentes en matière de gestion des déchets pour vous informer de la procédure à suivre pour recycler les outils électriques.

Si mon appareil ne fonctionne pas

Problème	Cause possible	Solution
L'appareil ne se met pas sous tension	Le coupe-circuit s'est déclenché ou un fusible a sauté	Vérifiez que le circuit est apte à fournir l'intensité requise puis réinitialisez le coupe-circuit
	Le fusible interne a sauté	Faites remplacer le fusible par un électricien qualifié
L'appareil cesse soudain de fonctionner	Le cycle de service a été dépassé et le voyant de surchauffe (6) s'est allumé	Laissez refroidir l'appareil 20 à 30 minutes
Soudure de mauvaise qualité	Mauvais réglage d'intensité	Réglez l'intensité à l'aide de la molette de réglage (3)
	Mauvaise électrode/baguette	Remplacez l'électrode/la baguette
	Mauvaise mise à la masse de la pièce à souder	Vérifiez la pince de mise à la masse (8). Faites en sorte qu'elle soit exempte de graisse, peinture ou autre revêtement superficiel susceptible de créer une mauvaise connexion avec la pièce à souder.

Garantie des outils Silverline

Ce produit Silverline bénéficie d'une garantie de 3 ans

Enregistrez ce produit sur le site silverlinetools.com dans les 30 jours suivant l'achat afin de bénéficier de la garantie de 3 ans. La période de garantie commence à partir de la date d'achat figurant sur votre facture.

Enregistrement de votre achat

Rendez-vous sur silverlinetools.com, sélectionnez le bouton d'enregistrement et saisissez :

- Vos informations personnelles
- Les informations concernant le produit et l'achat

Vous recevrez le certificat de garantie en format PDF. Veuillez l'imprimer et le conserver avec votre article.

Conditions générales

La période de garantie prend effet à compter de la date de l'achat en magasin indiquée sur votre facture.

VEUILLEZ CONSERVER VOTRE FACTURE D'ACHAT.

Si ce produit est défectueux pendant les 30 jours qui suivent l'achat, retournez-le au magasin où vous l'avez acheté, avec votre facture, en expliquant en détail le problème. Le produit sera remplacé ou vous serez remboursé(e).

Si ce produit est défectueux après cette période de 30 jours, retournez-le à :

Silverline Tools Service Centre
PO Box 2988

Yeovil

BA21 1WU, Royaume Uni

Toute demande de service sous garantie doit être soumise pendant la période de garantie.

Avant toute intervention sous garantie, vous devez présenter la facture originale sur laquelle doivent figurer la date d'achat, votre nom, votre adresse et le lieu d'achat.

Vous devez expliquer en détail la défaillance nécessitant réparation.

Les demandes de service sous garantie faites pendant la période de garantie seront vérifiées par Silverline Tools pour établir si la défaillance du produit est liée à un vice de matériau ou de fabrication.

Les frais de port ne seront pas remboursés. Les articles retournés doivent être convenablement propres et sûrs pour être réparés et devraient être emballés soigneusement pour éviter tout dommage ou toute blessure pendant le transport. Nous pouvons refuser les livraisons qui ne sont pas convenables ou sûres.

Toute intervention sera effectuée par Silverline Tools ou ses agents de réparation agréés.

La réparation ou le remplacement du produit ne dépassera pas la période de garantie.

Les anomalies que nous reconnaissons être couvertes par la garantie seront rectifiées par la réparation de l'outil, sans frais (hormis les frais de port) ou par son remplacement par un outil en parfait état de fonctionnement.

Les pièces ou les outils remplacés deviendront la propriété de Silverline Tools.

La réparation ou le remplacement de votre produit sous garantie vous apporte des avantages ; ces avantages s'ajoutent à vos droits statutaires en tant que consommateur sans les affecter aucunement.

La présente garantie couvre :

La réparation du produit, s'il peut être vérifié, à la satisfaction de Silverline Tools, que les défaillances du produit ont été provoquées par un vice de matériau ou de fabrication au cours de la période de garantie.

Si une pièce n'est plus disponible ou n'est plus fabriquée, Silverline Tools la remplacera par une pièce de rechange opérationnelle.

Utilisation de ce produit dans l'UE.

La présente garantie ne couvre pas :

Silverline Tools ne garantit pas les réparations nécessaires du produit engendrées par :

L'usure normale provoquée par l'utilisation conforme aux instructions d'utilisation, par exemple des lames, des balais de charbon, des courroies, des ampoules, des batteries, etc.

Le remplacement de tout accessoire fourni tel que les forêts, les lames, les feuilles abrasives, les outils de coupes et les autres articles associés.

Les dommages et les défaillances accidentels causés par une utilisation ou un entretien négligent, une mauvaise utilisation, un manque d'entretien ou une utilisation ou une manipulation imprudente du produit.

L'utilisation du produit à des fins autres que son utilisation domestique normale.

Le moindre changement ou la moindre modification du produit.

L'utilisation de pièces et d'accessoires qui ne sont pas des composants véritables de Silverline Tools.

Une installation défectueuse (sauf si l'installation a été réalisée par Silverline Tools).

Les réparations ou les modifications réalisées par des tiers autres que Silverline Tools ou ses agents de réparation agréés.

Les demandes de service autres que le droit de rectifier les défaillances de l'outil indiquées dans ces conditions de garantie ne sont pas couvertes par cette garantie.

Garantie batterie

Les batteries de Silverline sont garanties pour 30 jours. En cas de défaut sur une batterie enregistrée lors de la période de garantie batterie, Silverline la remplacera gratuitement. Cette garantie ne s'applique pas à l'utilisation commerciale et ne s'étend pas non plus à l'usure normale ou aux dommages causés par des accidents, des mauvais traitements ou une utilisation impropre.

Déclaration de conformité CE

Le soussigné : M. Darrell Morris

Autorisé par : Silverline Tools

Déclare que le produit :

La présente déclaration est établie sous la responsabilité exclusive du fabricant.

La présente déclaration de conformité est rédigée conformément à la législation d'harmonisation de l'Union Européenne pertinente

Code d'identification : 846386

Description: Ensemble poste à souder MMA 100 A avec onduleur

Est conforme aux directives suivantes :

- Directive sur les machines 2006/42/CE
- Directive sur la compatibilité électromagnétique 2014/30/UE
- Directive RoHS 2011/65/UE
- EN60974-1:2012
- EN60974-10:2014

Organisme notifié : TÜV SÜD Product Service

La documentation technique est conservée par : Silverline Tools

Date : 18/07/16

Signature :



M. Darrell Morris
Directeur général

Nom et adresse du fabricant ou de son représentant agréé :

Powerbox International Limited, entreprise enregistrée sous le numéro 06897059.

Siège social : Powerbox, Boundary Way, Lufton Trading Estate, Yeovil, Somerset BA22 8HZ, Royaume Uni.

Einführung

Vielen Dank, dass Sie sich für dieses Triton-Werkzeug entschieden haben. Diese Anleitung enthält wichtige Informationen für das sichere und effektive Arbeiten mit diesem Produkt. Bitte lesen Sie diese Anleitung sorgfältig durch, um den größtmöglichen Nutzen aus dem einzigartigen Design dieses Produkts ziehen zu können. Bewahren Sie diese Anleitung griffbereit auf und sorgen Sie dafür, dass alle Benutzer dieses Geräts sie gelesen und verstanden haben.

Beschreibung der Symbole

Auf dem Typenschild des Werkzeugs sind möglicherweise Symbole abgebildet. Sie vermitteln wichtige Informationen über das Produkt oder dienen als Gebrauchsanweisung.



Gehörschutz tragen
Augenschutz tragen
Atemschutz tragen
Kopfschutz tragen



Handschutz tragen



Bedienungsanleitung sorgfältig lesen



Nicht im Regen oder in feuchter Umgebung verwenden!



Stromschlaggefahr!



Giftige Dämpfe oder Gase!



Gefahr durch UV-Strahlung!



Gefahr durch heiße Oberflächen – NICHT berühren!



Brandgefahr!



Achtung, Gefahr!



Schutzklasse I (Schutzleiter)



Erfüllt die einschlägigen Rechtsvorschriften und Sicherheitsnormen



Umweltschutz

Elektroaltgeräte dürfen nicht über den Haushaltsmüll entsorgt werden. Nach Möglichkeit bitte über entsprechende Einrichtungen entsorgen. Lassen Sie sich bezüglich der sachgemäßen Entsorgung von Elektrowerkzeugen von der zuständigen Behörde oder dem Händler beraten.

Technische Daten

Eingangsspannung:	230 V ~ 50 Hz
Stromversorgung:	16 A
Eingangsleistung:	230 V: 17,2 A (Höchststand), 12,1 A (Effizienz)
Strombereich:	25-100 A
Einschaltdauer:	50 % @ 100 A, 60 % @ 91 A, 100 % @ 71 A
Leerlaufspannung:	60 V
Ausgangsspannung:	22,8 V(71 A), 24 V(100 A)
Elektrodenrößeg:	1,6 – 3,2 mm
Isolierklasse:	H
Schutzart:	IP21S
Schweißstärke (Stahl):	1 – 6mm
Schutzklasse:	⊕
Elektrodenkabelänge:	2,0m
Massekabelänge:	1,5m
Netzkabelänge:	2,0m
Abmessungen (L x W x H):	350 x 140 x 240mm
Gewicht:	4,6kg

Aufgrund der fortlaufenden Weiterentwicklung unserer Produkte können sich die technischen Daten von Silverline-Produkten ohne vorherige Ankündigung ändern.

Allgemeine Sicherheitshinweise

WARNUNG! Bei der Benutzung von Elektrowerkzeugen müssen stets grundlegende Sicherheitsmaßnahmen einschließlich der folgenden Anweisungen getroffen werden, um das Risiko von Bränden, Elektroschocks und Personenschäden zu vermindern. Lesen Sie alle Anweisungen aufmerksam durch und bewahren Sie diese für zukünftiges Nachschlagen mit dem Gerät auf.

WARNUNG! Dieses Gerät darf nicht von Personen (wie z.B. Kindern) mit eingeschränkter körperlicher oder geistiger Fähigkeiten oder von Personen ohne Erfahrung im Umgang mit einem solchen Gerät betrieben werden, außer wenn sie von einer für ihre persönliche Sicherheit verantwortlichen Person in der Benutzung unterwiesen worden sind und dabei beaufsichtigt werden. Kinder müssen beaufsichtigt werden, um sicherzustellen, dass sie das Gerät nicht als Spielzeug verwenden.

ACHTUNG! Verwenden Sie Elektrowerkzeuge stets in Übereinstimmung mit diesen Anweisungen und beachten Sie dabei die Arbeitsplatzbedingungen und die auszuführenden Tätigkeiten. Eine Benutzung von Elektrowerkzeugen für Tätigkeiten, für die sie nicht konzipiert wurden, kann zu gefährlichen Situationen führen.

Der Begriff „Elektrowerkzeug“ in den folgenden Warnhinweisen bezieht sich sowohl auf netzgebundene Geräte sowie Akkugeräte (schnurlose Geräte).

- Halten Sie den Arbeitsbereich sauber und aufgeräumt.** – Unordnung auf Werkbänken und Böden begünstigt Verletzungen.
- Beachten Sie die Arbeitsplatzbedingungen.**
 - Verwenden Sie Werkzeuge niemals im Regen.
 - Verwenden Sie Werkzeuge niemals in feuchten oder nassen Bereichen.
 - Sorgen Sie für angemessene Beleuchtung von Arbeitsbereichen.
 - Verwenden Sie Werkzeuge niemals in der Nähe von brennbaren Flüssigkeiten.
- Schützen Sie sich vor elektrischen Schlägen.** – Vermeiden Sie Kontakt mit geerdeten Objekten und Oberflächen wie z.B. Rohrleitungen, Heizkörpern, Haushaltsgeräten usw.

- 4 – **Halten Sie andere Personen vom Arbeitsplatz fern.** – Achten Sie darauf, dass Personen, die nicht direkt am Arbeitsvorgang beteiligt sind, insbesondere Kinder, von Werkzeugen und Werkstücken fernbleiben, Werkzeuge und deren Anschlussleitungen nicht berühren und sich nicht im Arbeitsbereich aufhalten.
- 5 – **Entfernen Sie nicht benötigte Werkzeuge aus dem Arbeitsbereich.** – Nicht verwendete Werkzeuge sollten an einem sicheren, trockenen Ort außerhalb der Reichweite von Kindern gelagert und eingeschlossen werden.
- 6 – **Wenden Sie bei der Benutzung von Werkzeugen keine Gewalt an.** – Werkzeuge erzeugen die besten und effektivsten Ergebnisse, wenn sie mit der Geschwindigkeit und dem Vorschub verwendet werden, für welche sie konzipiert wurden.
- 7 – **Verwenden Sie für die auszuführende Aufgabe geeignete Werkzeuge.** – Kleine, leichte Werkzeuge verfügen nicht über die gleiche Leistung wie schwere Profi-Werkzeuge.
Verwenden Sie Werkzeuge niemals zweckentfremdet; z.B. dürfen Kreissägen nicht zum Sägen von Baumstämmen oder Ästen verwendet werden.
- 8 – **Tragen Sie geeignete Arbeitskleidung.** – Tragen Sie weder lose Kleidung noch Schmuck, da sich diese in den beweglichen Komponenten von Maschinen verfangen könnten.
– Tragen Sie stets geeignete Sicherheitsschuhe.
– Decken Sie lange Haare ab.
- 9 – **Verwenden Sie geeignete persönliche Schutzausrüstung.** – Tragen Sie stets eine geeignete Schutzhülse.
– Tragen Sie bei staubigen Arbeiten stets eine Atemschutzmaske.

WARNING! Falls keine persönliche Schutzausrüstung getragen wird, können schwerwiegende Verletzungen und Erkrankungen auftreten.

- 10 – **Verwenden Sie Staubabsaugungsausrüstung.** – Verwenden Sie Geräte mit Staubabsauganschluss stets mit einer geeigneten Absaugvorrichtung.
- 11 – **Verwenden Sie die Anschlussleitung nicht misbräuchlich.** – Ziehen Sie niemals am Kabel, um dieses aus der Steckdose zu entfernen. Halten Sie Anschlussleitungen fern von Hitze, Schmiermitteln und scharfen Kanten. Beschädigte und abgenutzte Leitungen erhöhen das Risiko von elektrischen Schlägen.
- 12 – **Fixieren Sie Ihre Werkstücke.** – Verwenden Sie stets Schraubzwingen, Schraubstöcke und andere Klemmvorrichtungen, um Werkstücke sicher zu fixieren. Dies ist sicherer als das Halten von Hand.
- 13 – **Nicht zu weit hinauslehnen.** – Bleiben Sie standfest und halten Sie stets Ihr Gleichgewicht.
- 14 – **Führen Sie Instandhaltungsarbeiten sorgfältig durch.** – Halten Sie Schneidwerkzeuge scharf. Werkzeuge mit scharfen Schneiden sind besser zu kontrollieren und verkanten sich weniger leicht.
– Befolgen Sie die Anweisung zur Schmierung und zum Austausch von Zubehörteilen.
– Überprüfen Sie Anschlussleitungen in regelmäßigen Abständen und lassen Sie diese bei Beschädigung oder Abnutzung von einem autorisierten Servicetechniker austauschen.
– Halten Sie Griffe trocken, sauber und frei von Schmierstoffen.

WARNING! Viele Unfälle mit Elektrowerkzeugen sind auf unzureichende Instandhaltung zurückzuführen.

- 15 – **Trennen Sie Geräte nach dem Gebrauch vom Stromnetz.** – Trennen Sie Elektrowerkzeuge stets von der Spannungsversorgung, bevor Sie Wartungsarbeiten durchführen und Zubehör abnehmen oder anbringen.

WARNING! Die Verwendung von Zubehör, das nicht vom Hersteller des Elektrowerkzeugs empfohlen wird, kann zu schwerwiegenden Sach- und Personenschäden führen.

- 16 – **Entfernen Sie stets alle Werkzeuge vom Gerät.** – Machen Sie es sich zur Gewohnheit, vor dem Einschalten von Elektrowerkzeugen zu überprüfen, dass alle beim Zubehörwechsel oder zur Justierung verwendeten Werkzeuge (z.B. Innensechskant-, Maul- u. Stiftschlüssel) entfernt wurden.
- 17 – **Vermeiden Sie unbeabsichtigtes Einschalten.** – Vergewissern Sie sich, dass sich der Betriebsschalter von Elektrowerkzeugen im ausgeschalteten Zustand befindet, bevor Sie das Werkzeug mit dem Stromnetz verbinden bzw. Akkus einsetzen.

WARNING! Ein unbeabsichtigtes Einschalten von Elektrowerkzeugen kann zu schwerwiegenden Sach- und Personenschäden führen.

- 18 – **Verwenden Sie geeignete Verlängerungsleitungen.** – Falls das Elektrowerkzeug in Außenbereichen verwendet wird, muss eine speziell für Außenbereiche geeignete Verlängerungsleitung verwendet werden. Dies vermindert das Risiko von elektrischen Schlägen.

- 19 – **Seien Sie aufmerksam.**

- Achten Sie darauf, was Sie tun, wenden Sie gutes Urteilsvermögen an und verwenden Sie Werkzeuge niemals, wenn Sie müde sind.
- Verwenden Sie Elektrowerkzeuge niemals, wenn Sie unter dem Einfluss von Drogen, Alkohol oder Medikamenten stehen.

WARNING! Ein Moment der Unachtsamkeit kann zu schweren Verletzungen führen.

- 20 – **Überprüfen Sie den Zustand von Werkzeugen vor der Benutzung.**

- Das Werkzeug muss vor jeder Verwendung auf Beschädigungen überprüft werden. Vergewissern Sie sich, dass sich das Gerät in einem Zustand befindet, in dem es seine normale Funktion sicher erfüllen kann.
- Begutachten Sie bewegliche Teile auf feste Verbindung, korrekte Ausrichtung, Schäden, korrekte Montage und andere Fehlerzustände, die ihre Funktion beeinträchtigen könnten.
- Beschädigte Schutzvorrichtungen und andere fehlerhafte Komponenten müssen von einem autorisierten Servicetechniker repariert oder ausgetauscht werden, außer wenn in dieser Bedienungsanleitung abweichend beschrieben.
- Defekte Schalter müssen von einem autorisierten Servicetechniker ausgetauscht werden.

WARNING! Verwenden Sie das Gerät nicht, falls es sich nicht über den Ein-/Ausschalter einschalten und auch ausschalten lässt. Der Schalter muss zur sicheren Verwendung ausgetauscht werden.

- 21 – **Lassen Sie das Werkzeug ausschließlich von qualifizierten Technikern warten und reparieren.** – Dieses Elektrowerkzeug entspricht den relevanten Sicherheitsvorschriften. Reparaturen dürfen ausschließlich von autorisierten Servicetechnikern durchgeführt werden, da unsachgemäße Reparaturen eine ernstzunehmende Gefahr darstellen können.

WARNING! Verwenden Sie zur Instandhaltung ausschließlich identische Originalersatzteile.

WARNING! Eine beschädigte Anschlussleitung muss durch den Hersteller oder eine autorisierte Fachwerkstatt ausgetauscht werden.

- 22 – **Der Netzstecker des Gerätes darf ausschließlich an einer geeigneten Steckdose verwendet werden.** – Der Netzstecker des Gerätes darf niemals modifiziert werden. Verwenden Sie keine Adapter mit geerdeten Elektrowerkzeugen. Dies trägt zum Schutz vor elektrischen Schlägen bei.

- 23 – **Bei der Verwendung in Außenbereichen muss das Gerät an einem Stromkreis betrieben werden, der von einem Fehlerstromschalter abgesichert ist.** Die Verwendung von FI-Schaltern vermindert die Gefahr elektrischer Schläge.

HINWEIS: Fehlerstromschutzschalter werden auch als FI-Schalter, FI-Schutzschalter oder RCDs bezeichnet.

WARNHINWEISE: Stellen Sie vor Anschluss eines Werkzeugs an eine Stromquelle (Steckdose, Stromanschluss u.ä.) sicher, dass die Netzspannung der auf dem Typenschild des Werkzeugs angegebenen Spannung entspricht. Eine Stromquelle mit einer höheren Spannung als der für das Werkzeug spezifizierten Spannung kann zu schweren Verletzungen des Bedieners sowie Beschädigung des Werkzeugs führen. Schließen Sie das Werkzeug im Zweifelsfall nicht an. Eine niedrigere Spannung als auf dem Typenschild angegeben schadet dem Motor.

Sicherheitshinweise für Schweißarbeiten

- Schweißen verursacht toxische Dämpfe und kann den Sauerstoffgehalt im Arbeitsbereich reduzieren. Arbeiten Sie immer in einem gut belüfteten Bereich. Vermeiden Sie das Einatmen von Schweißdämpfen und verwenden Sie gegebenenfalls ein Atemschutzgerät.
- Einige Metallteile sind verzinkt oder mit Blei, Kadmium oder anderen Materialien beschichtet. Beim Schweißen durch diese Beschichtungen können extrem toxische Dämpfe entstehen. Vor dem Schweißen daher zunächst alle Beschichtungen entfernen.
- Bei Lungen-, Hals oder Augenreizung während des Schweißens die Schweißarbeiten sofort einstellen und an die frische Luft gehen.
- Schweißen erzeugt extrem starkes UV-Licht. Tragen Sie zur Vermeidung von Augenschäden immer eine zugelassene Schweißmaske. Schauen Sie unter keinen Umständen direkt in den Lichtbogen.
- Wenn sich andere Personen möglicherweise dem Arbeitsbereich nähern könnten, stellen Sie entsprechende Schutzwände auf, damit sie vor Licht/Blendung geschützt werden.

- Tragen Sie zur Vermeidung von Hautschäden immer eine geeignete feuerfeste, langärmelige Jacke sowie hitzebeständige Schutzhandschuhe und Mütze. Den Körper stets gut bedeckt halten.
- Entfernen Sie entzündliche Materialien (z.B. Feuerzeuge, Streichhölzer) immer vor dem Schweißen aus der Kleidung.
- Halten Sie während des Schweißens immer einen Feuerlöscher griffbereit. Funken und versehentlicher Kontakt können Brände auslösen.
- Schweißen Sie nur dann, wenn alle Werkstücke und der Arbeitsbereich trocken sind.
- Keine verschlossenen Behälter (z.B. Kraftstofftanks, Lufttanks, Ölfässer) schweißen. Die durch die Schweißarbeit erzeugte Hitze kann dazu führen, dass verschlossene Behälter ohne Vorwarnung bersten.
- Achten Sie auf übertragene Wärme. Metallteile können die Wärme vom Arbeitsbereich ableiten und brennbare Materialien entzünden.
- Bedenken Sie stets, dass geschweißte Teile nach der Bearbeitung noch einige Zeit heiß bleiben. Die Teile vor der Handhabung, oder bevor diese unbeaufsichtigt gelassen werden, völlig abkühlen lassen.
- Niemals in Gegenwart entzündlicher Gase, Flüssigkeiten oder Staub schweißen.
- Stellen Sie immer sicher, dass eine verantwortungsbewusste Person in der Nähe ist, die vor Feuer warnen und im Notfall Hilfe rufen kann.
- Die Verwendung von Schweißgeräten erzeugt sehr starke magnetische Felder. Diese könnten den Betrieb empfindlicher Elektronikrichtungen beeinträchtigen. Träger von Herzschrittmachern sollten sich vor Gebrauch eines Schweißgeräts von einem Arzt beraten lassen.
- Die Stromzufuhr nicht überlasten. Vergewissern Sie sich, dass Ihre Netzstromversorgung die erforderliche Stromleistung (siehe technische Daten) sicher bereitstellen kann.

Produktübersicht

1	Tragegriff
2	Ein-/Ausschalter
3	Stromwahlschalter
4	Elektrodenanschluss
5	Masse-Anschluss
6	Thermo-Überlastungsanzeige
7	Stromanzeige
8	Masseklemme
9	Massekabelanschluss
10	Elektrodenklemme
11	Elektrodenkabelanschluss
12	Elektrodenhalter
13	Schweißmaske
14	Filterrahmen
15	Schweißscheibe
16	Spritzschutz
17	Rahmenklammern (x 2)
18	Haltegriffmuttern (x 3)
19	Haltegriffschrauben (x 3)
20	Rahmenstifte (x 2)
21	Maskengriff
22	Hammerbürste

Bestimmungsgemäße Verwendung

Einphasiges, manuell betriebenes Lichtbogenschweißgerät mit Elektroden zum Schweißen eisenhaltiger Metalle.

Benötigt eine geerdete, europäische 16 A CEE 7/3 oder CEE 7/5 Steckdose. Als Alternative kann der CEE 7/7 Netzstecker entfernt werden, sodass das Schweißgerät in Großbritannien an eine geeignete 16 A Steckdose angeschlossen werden kann.

Auspacken des Gerätes

- Packen Sie Ihr Werkzeug vorsichtig aus und überprüfen Sie es. Machen Sie sich vollständig mit all seinen Eigenschaften und Funktionen vertraut.
- Vergewissern Sie sich, dass sämtliche Teile des Werkzeugs vorhanden und in einwandfreiem Zustand sind. Sollten Teile fehlen oder beschädigt sein, lassen Sie diese ersetzen, bevor Sie das Werkzeug verwenden.

Vor Inbetriebnahme

⚠️ WARNUNG! Vergewissern Sie sich, dass das Gerät abgeschaltet, von der Stromversorgung getrennt und völlig abgekühlt ist, bevor Sie Zubehör auswechseln oder Veränderungen vornehmen.

WARNUNG! Vergewissern Sie sich, dass ein angemessener Feuerlöscher im Arbeitsbereich zur Verfügung steht.

Zusammenbau der Schweißmaske

Fügen Sie die Schweißmaske wie folgt zusammen:

1. Verwenden Sie die Maskenklemmen (rote Pfeile) um die flach verpackte Schweißmaske (13) in Ihre übliche Form zu bringen.
2. Befestigen Sie den Maskengriff (21) mit Hilfe der Haltegriffschrauben und -muttern (18 & 19). Der Haltegriff muss auf der Innenseite der Schweißmaske angebracht werden um die Hand des Nutzers vor Spritzer schützen zu können.
3. Fügen Sie den Filterrahmen (14) mit der Schweißscheibe (15) und dem Spritzschutz (16) zusammen. Achten Sie darauf, dass der Spritzschutz vor der Schweißscheibe liegt, um diese vor Schweißspritzern zu schützen. Sollte die Schweißscheibe außerhalb angebracht werden, kann sie durch Schweißspritzer beschädigt werden und schädliche Ultra-Violett-Strahlen durchlassen, die den Nutzer gefährden.
4. Befestigen Sie die Scheibenmontage an der Schweißmaske mit Hilfe der Rahmenstifte (20) und den Rahmenklammern (17).

⚠️ Anschluss an die Stromversorgung

Hinweis: Dieses Gerät ist geerdet und darf nur an eine ebenfalls geerdete Stromversorgung angeschlossen werden. Versuchen Sie nicht das Gerät an eine nicht geerdete Stromversorgung anzuschließen.

Warnung! Dieses Schweißgerät muss an eine 16-A-Stromversorgung angeschlossen werden, und ist nicht zum Betrieb an konventionellen britischen 13-A-Steckdosen geeignet! Daher liegt dem Gerät kein Stecker-Adapter für Großbritannien bei.

Dieses Lichtbogenschweißgerät ist mit einem für Deutschland und Frankreich geeigneten CEE 7/7 geerdeten 16-A-Netzstecker ausgestattet und ist auch für andere Länder geeignet, die mit CEE 7/3 und 7/5 Standardsteckdosen versorgt sind. Falls Ihnen keine geeignete Schuko-Steckdose (CEE 7/4 u. 7/5) zur Verfügung steht, muss das Netzkabel gegen ein für Ihre Region und für die Anforderungen des Gerätes geeignetes Kabel mit geeignetem Stecker ausgetauscht werden. Lassen Sie diese Arbeit von einem qualifizierten Elektriker durchführen. Eventuell ist auch die Verwendung eines Anschluss-Konverters möglich, welcher allerdings für die Strom-/Spannungs- und Schutzleiter-Anforderungen des Gerätes geeignet sein muss.

Hinweis für die Benutzung in Großbritannien: Lassen Sie einen geeigneten Starkstromkreis durch einen qualifizierten Elektriker installieren. Geeignete 16-A-Steckdosen und 16-A-Stecker sind von Ihrem Silverline-Fachhändler unter Art.-Nr. 589694 bzw. 571518 erhältlich. Diese müssen allerdings von einer qualifizierten Elektrofachkraft installiert werden. Es besteht außerdem die Möglichkeit, das Gerät an einem 32-A-Stromkreis (Steckdose Art.-Nr. 457049 u. Stecker 427717) zu betreiben, an dem auch Schweißgeräte und andere Maschinen mit höherer Stromaufnahme betrieben werden können.

Bedienen Sie das Schweißgerät nicht, wenn es an nicht an eine geerdete Stromquelle angeschlossen ist.

Betreiben Sie dieses Gerät **NIEMALS** an einer Steckdose die nicht für Ströme von 16 A geeignet ist!

Betreiben Sie dieses Gerät **NIEMALS** an einer Verlängerungsleitung oder Kabeltrommel die nicht für Ströme von 16 A ausgelegt ist; wickeln Sie ein geeignetes Verlängerungskabel während der Benutzung stets komplett ab!
WICHTIG: Es wird strengstens empfohlen eine Stecker / Steckdoserverbindung zu verwenden, da diese sicher das Schweißgerät isoliert, falls dieses notwendig wird.

Hinweis;

- Das Schweißgerät muss mit einem Freischalter mit eingebauter RCD- (Fehlerstromschutz) Vorrichtung und an einen RCD-gesicherten Stromkreis angeschlossen werden.
- Bitte entnehmen Sie Informationen zur Netzleistung dieses Schweißgerätes den technischen Daten.
- Falls Sie sich unsicher sind wie das Schweißgerät auf sichere Art und Weise mit dem Stromnetz zu verbinden ist, konsultieren Sie einen qualifizierten Elektriker.

Elektrodenauswahl

- Um ein hochwertiges Schweißergebnis zu erzielen, muss ein geeigneter Stabelektroden-Typ verwendet werden. Schweißelektroden sind in verschiedenen Stärken und in unterschiedlichen Materialien, Umhüllungen und Kombinationen erhältlich.
- Für die Wahl der benötigten Elektrode verweisen wir auf die Spezifizierungstabelle, sowie die Angaben des Elektrodenherstellers.

Richtlinien zur Auswahl von Stromstärke und Elektroden Durchmesser

Elektroden Durchmesser	Schweißstrom
1,6 mm	40– 50 A
2,0 mm	50– 70 A
2,5 mm	75– 100 A
3,2 mm	110– 130 A
4,0 mm	140– 200 A

Bedienung

⚠️ WARNUNG! Tragen Sie STETS eine Schweißmaske, Schweißhandschuhe und hitzebeständige Schutzkleidung, wenn Sie dieses Gerät bedienen.

⚠️ WARNUNG! Beim Schweißen können giftige Gase freigesetzt werden und ein geeigneter Atemschutz ist erforderlich. Lesen Sie die Sicherheitshinweise für Schweißarbeiten sorgfältig durch. Weitere Information, können von Ihrem örtlichen Gesundheitsamt eingeholt werden.

⚠️ WARNUNG! Überprüfen Sie das Gerät STETS auf Beschädigungen. Achten Sie hierbei besonders auf Netzkabel. Benutzen Sie das Gerät nicht wenn Sie Mängel festgestellt haben.

Hinweis: Bevor Sie das Gerät in Betrieb nehmen prüfen Sie, dass das Gerätegehäuse sicher verschlossen ist.

Hinweis: Stellen Sie das Schweißgerät so auf, dass es sich während der Inbetriebnahme nicht verschieben oder umkippen kann. Sorgen Sie dafür, dass ein Bereich von mindestens 50 cm um das Schweißgerät freigehalten wird, um angemessene Belüftung zu gewährleisten.

Ein- und Ausschalten des STETS

- Schalten Sie das Gerät an der Geräterückseite am Ein-/Ausschalter (2) ein, indem Sie diesen auf Position „I“ stellen.
- Das Gerät wird ausgeschaltet wenn der Ein-/Ausschalter auf die "0" Position gestellt wird.

Stromstärke wählen

- Um ein hochwertiges Schweißergebnis erzielen zu können, muss der Stromwahlschalter (3) richtig eingestellt werden.
- Drehen Sie den Stromwahlschalter im Uhrzeigersinn um den Schweißstrom zu erhöhen; wird der Stromschalter im Gegenuhrzeigersinn gedreht, verringert sich der Schweißstrom.

Einschaltdauer

- Dieses Gerät ist nicht dafür ausgelegt um mit hohen Strömen dauerhaft zu schweißen. Übermäßiges, konstantes schweißen wird ein Überhitzen des Gerätes verursachen und innere Geräteteile beschädigen.
- Das Gerät ist mit einem Thermo-Überlastungsschutz ausgestattet. Wenn das Schweißgerät überlastet wird, oder über die Einschaltdauer hinaus eingesetzt wird, schaltet es sich automatisch aus.

- Die Angaben zur Einschaltdauer liefern einen Anhaltspunkt wie lange das Gerät verwendet werden kann (siehe Technische Daten). Die Nummer definiert die Anzahl an Minuten im 10 Minutenzyklus, die das Gerät eingesetzt werden kann.
- Für eine Einschaltdauer von 30 %, darf das Gerät für 3 Minuten eingesetzt werden und muss dann 7 Minuten lang abkühlen.
- Wenn die Einschaltdauer überschritten wird, schaltet sich das Gerät automatisch aus.
- Setzen Sie das Gerät mit einem niedrigen Schweißstrom ein und sichern Sie eine gute Belüftung, um den Einschaltzyklus zu maximieren.
- Wenn die Grenze der Einschaltdauer erreicht ist, erleuchtet die Thermo-Überlastungsanzeige (6). Die Anzeige erlischt, sobald das Gerät ausreichend abgekühlt ist und wieder eingesetzt werden kann.
- Zur Vorbeuge wird geraten, das Gerät weitere 3 Minuten abkühlen zu lassen, nachdem die Überlastungsanzeige erlischt ist. Somit wird sichergestellt, dass das Gerät die Temperatur für einen erneuten Einsatz erreicht hat.

Vorbereitungen zum Schweißen

- Sorgen Sie dafür, dass die zu schweißenden Teile sauber und frei von Fett, Rost, Lack und anderen Oberflächenbeschichtungen sind.
- Alle Teile müssen fest abgestützt sein, und es sollte ein etwa 1 mm breiter Spalt an der Stelle verlaufen, an der die Schweißnaht entstehen soll.
- Vergewissern Sie sich, dass sich keine brennbaren Materialien in der Nähe des Arbeitsbereiches befinden.
- Befestigen Sie die Masseklemme (8) an einer gereinigten Stelle an einem der zu verschweißenden Teile so nah wie möglich an der Stelle wo die Schweißnaht entstehen soll.

Hinweis: Der Anschluss zwischen Masseklemme und dem Werkstück kann dadurch verbessert werden, indem Sie ein Stück Kupferdraht um die Zähne der Masseklemme wickeln, hierfür die Isolation entfernen.

- Drücken Sie die Elektrodenklemme (10) auf, führen Sie eine Elektrode ein und geben Sie den Griff frei. Die Elektrode sollte nun fest eingespannt sein, wobei die Klammer nicht den beschichteten, sondern nur den unbeschichteten Metallteil berühren darf.

- Schließen Sie das Schweißgerät ans Stromnetz an.

Schweißen

⚠️ WARNUNG! Die korrekte Benutzung eines Schweißgerätes ist eine technische Fertigkeit. Ein falsch verwendetes Schweißgerät kann äußerst gefährlich sein. Die nachfolgenden Informationen sind lediglich als allgemeine Hinweise zu verstehen. Wenn Sie sich in irgendeiner Weise unsicher bezüglich der sicheren Verwendung dieses Geräts sein sollten, benutzen Sie es nicht!

- Schieben Sie den Ein-/Ausschalter (2) in die "I" Position (auf der Geräterückseite).
- Halten Sie die Elektrodenklemme (10) in der einen und die Schweißmaske (13) in der anderen Hand.
- Halten sie den Stab in einem Winkel von ungefähr 80° zur Oberfläche hin. Die Elektroden spitze sollte hier einen Abstand von ca. 30 mm zum Metall halten.
- Halten Sie die Schweißmaske vor Ihr Gesicht und klopfen sie die Elektrode gegen das Metall.
- Ein Lichtbogen sollte nun zwischen Metall und der Elektroden spitze zünden. Versuchen Sie, die Elektroden spitze in einer Entfernung vom Metall zu halten, die der Elektrodenstärke entspricht. Halten Sie den Lichtbogen für etwa 1 – 2 Sekunden aufrecht, und führen Sie die Elektrode dann vom Werkstück weg.
- Lassen Sie die Schweißstelle etwas abkühlen und entfernen Sie den Schweißschild vor Ihrem Gesicht. Wenn die Einstellungen richtig waren, sollte sich nun ein runder, geschweißter Punkt gebildet haben.
- Wenn die Schweißstelle das Metall nicht vollständig durchdrungen hat, müssen Sie die Stromzufuhr mit dem Stromregler erhöhen. Wenn ein Loch im Metall entstanden ist, muss die Stromzufuhr verringert werden.
- Machen Sie probeweise einige Schweißpunkte, bis Sie im Umgang mit dem Gerät und mit der Wahl der Einstellungen sicher sind.
- Erhalten Sie den Lichtbogen länger aufrecht und führen Sie die Elektrode gleichzeitig langsam vorwärts, um eine Schweißnaht zu schweißen. Die Geschwindigkeit mit der die Elektrode bewegt wird ist für ein gutes Schweißergebnis ausschlaggebend.
- Wenn das Gerät richtig eingestellt ist, sollte der Lichtbogen beständig sein und ein knisterndes Geräusch erzeugen. Berücksichtigen Sie, dass Sie den Elektrodenhalter mit zunehmender Elektrodenabnutzung stetig näher an das Metall führen müssen.

- Wenn die Anwendung beendet ist entfernen Sie jegliche Schlacke und Spritzer mit der Hammerbürste. Schweißen Sie nur auf bereits bestehenden Schweißpunkten wenn diese gründlich von Schweißperlen gereinigt wurden.
- Saubere, hochwertige Schweißergebnisse zu erzielen ist eine Fertigkeit, die über längere Zeit erlernt werden muss. Nur Übung und gute Vorbereitung führen zu zufriedenstellenden Schweißergebnissen.

Zubehör

- Eine Reihe von Zubehör und Verschleißartikel, inklusive Schweißhelme (868520, 934295 und 757060), Schlackenhammer (515858), Schweißschürzen (633505) und Schweißhandschuhe (282389), sind von Ihrem Silverline-Fachhändler erhältlich. Ersatzteile können über toolsparsonline.com bestellt werden.

Instandhaltung

⚠ WARNUNG! Trennen Sie das Gerät stets vom Stromnetz, bevor Sie Wartungs- oder Reinigungsarbeiten durchführen.

- Sollte das Netzkabel verschleiben oder beschädigt werden, muss es mit einem gleichwertigen oder hochwertigeren Kabel von gleicher Stromkapazität, von einem qualifizierten Elektriker ausgewechselt werden.
- Sollte die interne Sicherung durchbrennen, muss diese mit einer Sicherung des gleichen Typs und Nennleistung ausgewechselt werden. Sollte die Ersatzsicherung sofort durchbrennen, ist das ein Hinweis auf eine Störung und ein Techniker des Kundenservice sollte sofort zugezogen werden.

Allgemeine Überprüfung

- Überprüfen Sie alle Befestigungsschrauben in regelmäßigen Abständen auf festen Sitz, da sie sich mit der Zeit durch Vibration lockern können.
- Kontrollieren Sie das Netzkabel des Gerätes vor jedem Gebrauch auf Schäden und Verschleiß. Reparaturen müssen durch eine zugelassene Silverline-Reparaturwerkstatt erfolgen. Dies gilt auch für mit dem Gerät verwendete Verlängerungskabel.

Reinigung

- Halten Sie Ihr Gerät stets sauber. Durch Schmutz und Staub verschleiben die inneren Teile schnell und die Lebensdauer des Gerätes wird verkürzt. Reinigen Sie das Gerät mit einer weichen Bürste oder einem trockenen Tuch. Die Entlüftungsöffnungen mit sauberer, trockener Druckluft reinigen, sofern verfügbar.
- Säubern Sie das Gerätegehäuse mit einem feuchten, weichen Lappen und einem milden Reinigungsmittel. Verwenden Sie keinesfalls benzin- oder alkoholhaltige oder andere scharfe Reinigungsmittel.
- Reinigen Sie Kunststoffteile niemals mit Ätzmitteln.

Lagerung

- Gerät an einem sicheren, trockenen Ort außerhalb der Reichweite von Kindern lagern.

Entsorgung

Beachten Sie bei der Entsorgung von defekten und nicht mehr reparablen Elektrowerkzeugen die geltenden Vorschriften und Gesetze.

- Elektrowerkzeuge und andere elektrische und elektronische Altgeräte nicht über den Hausmüll entsorgen.
- Lassen Sie sich von der zuständigen Behörde bezüglich der ordnungsgemäßen Entsorgung von Elektrowerkzeugen beraten.

Fehlerbehebung

Störung	Mögliche Ursache	Lösung
Kein Strom	Schutzschalter in Betrieb oder Sicherung durchgebrannt	Prüfen Sie, das der Stromkreis die benötigte Stromspannung liefern kann, dann den Schutzschalter zurücksetzen
	Sicherung durchgebrannt	Lassen Sie die Sicherung von einem qualifiziertem Elektriker auswechseln
Schweißgerät schaltet sich während des Betriebs aus	Einschaltdauer überschritten und Thermo-Überlastungsschutz (6) leuchtet	Lassen Sie das Gerät für 20-30 Minuten abkühlen
Schlechtes Schweißergebnis	Falscher Schweißstrom gewählt	Stromwahlschalter (3) richtig einstellen
	Falscher Elektrodenstab	Elektrode auswechseln
	Schlechte Erdung zum Werkstück	Prüfen Sie die Masseklemme (8). Vergewissern Sie sich, dass kein Fett, Lack oder andere Beschichtungen den elektrischen Anschluss mit dem Werkstück beeinflussen können.

Silverline-Tools-Garantie

Dieser Silverline-Artikel wird mit einer 3-Jahres-Garantie angeboten

Registrieren Sie diesen Artikel unter silverlinetools.com innerhalb von 30 Tagen nach dem Kauf, um die 3-Jahres-Garantie zu aktivieren. Der Garantiezeitraum beginnt mit dem Kaufdatum auf Ihrem Kaufbeleg.

Registrierung Ihres Kaufs

Gehen Sie auf silverlinetools.com, klicken Sie auf „Registrierung“ und geben Sie Folgendes ein:

- Ihre persönlichen Angaben
- Produktdetails und Kaufinformationen

Sobald dieser Artikel registriert worden ist, wird Ihre Garantiebescheinigung im PDF-Format erzeugt. Bitte drucken Sie sie aus und bewahren Sie sie zusammen mit Ihrem Produkt auf.

Garantiebedingungen

Der Garantiezeitraum beginnt mit dem Kaufdatum im Einzelhandel, das auf dem Kaufbeleg angegeben ist.

BITTE BEWAHREN SIE DEN KAUFBELEG AUF!

Falls dieser Artikel innerhalb von 30 Tagen nach dem Kauf einen Defekt aufweisen sollte, bringen Sie es bitte mit Ihrem Kaufbeleg zu dem Fachhändler, bei dem es gekauft wurde, und informieren Sie ihn über die Mängel. Das Gerät wird daraufhin ersetzt oder der Kaufpreis zurückerstattet.

Falls dieser Artikel nach Ablauf von 30 Tagen nach dem Kauf einen Mangel aufweist, senden Sie es bitte an:

Silverline Tools Service Centre

PO Box 2988

Yeovil

BA21 1WU, Großbritannien

Der Garantieanspruch muss während der Garantiezeit gestellt werden.

Sie müssen den Originalkaufbeleg mit Angabe des Kaufdatums einreichen und Ihren Namen und Ihre Adresse sowie den Ort des Kaufs angeben, bevor etwaige Arbeiten durchgeführt werden können.

Sie müssen genaue Angaben über den zu behobenden Defekt machen.

Alle innerhalb der Garantiefrist gemachten Forderungen werden von Silverline Tools daraufhin überprüft werden, ob es sich bei den Mängeln um einen Material- oder Fertigungsfehler handelt.

Versandkosten werden nicht zurückerstattet. Alle Artikel sollten sich in sauberem und sicherem Zustand befinden und sorgfältig verpackt zur Reparatur eingeschickt werden, um Schäden oder Verletzungen während des Transports zu vermeiden. Die Annahme unangemessener oder unsicherer Lieferungen kann von uns verweigert werden.

Alle Arbeiten werden von Silverline Tools oder seinen autorisierten Reparaturwerkstätten durchgeführt.

Die Reparatur oder der Ersatz des Artikels führt nicht zur Verlängerung des Garantiezeitraums.

Mängel, bei denen unsere Prüfung ergibt, dass sie unter die Garantie fallen, werden durch kostenlose Reparatur des Werkzeugs (ohne Versandkosten) oder Ersatz durch ein Werkzeug in einwandfreiem Zustand behoben.

Einbehaltene Werkzeuge oder Teile, die ersetzt wurden, gehen in den Besitz von Silverline Tools über.

Die Reparatur bzw. der Ersatz Ihres Artikels unter dieser Garantie erfolgt zusätzlich zu Ihren gesetzlichen Rechten als Verbraucher und hat keine nachteiligen Folgen auf diese.

Durch die Garantie abgedeckt ist:

Die Reparatur des Artikels, nachdem zur Zufriedenheit von Silverline Tools nachgewiesen wurde, dass der Defekt durch fehlerhaftes Material oder mangelhafte Arbeitsausführung bedingt ist und in den Garantiezeitraum fällt.

Wenn ein Ersatzteil nicht mehr erhältlich ist oder nicht mehr hergestellt wird, kann Silverline Tools es gegen einen funktionellen Ersatz austauschen.

Verwendung des Artikels innerhalb der EU.

Durch die Garantie nicht abgedeckt ist:

Silverline Tools garantiert keine Reparaturen, die durch Folgendes erforderlich geworden sind:

Normale Verschleißerscheinungen, die trotz Verwendung entsprechend der Bedienungsanleitung entstehen, z.B. an Messern, Bürsten, Riemen, Glühbirnen, Batterien usw.

Ersatz von mitgeliefertem Zubehör wie etwa Bohrspitzen, Klingen, Schleifblättern, Schneidscheiben und anderen zugehörigen Teilen.

Unfallschäden und Fehler, die durch unsachgemäße Verwendung oder Wartung, Missbrauch, Nachlässigkeit oder fahrlässige Bedienung oder Handhabung des Artikels entstanden sind.

Verwendung des Artikels für andere als normale Haushaltszwecke.

Jegliche Veränderungen oder Modifikationen des Artikels.

Die Verwendung von Teilen oder Zubehör, die keine Originalkomponenten von Silverline Tools sind.

Fehlerhafte Montage (außer, wenn von Silverline Tools vorgenommen).

Reparaturen oder Änderungen, die von anderen als Silverline Tools oder seinen autorisierten Reparaturwerkstätten durchgeführt wurden.

Ansprüche, die über die Rechte zur Behebung von Mängeln an dem in diesen Garantiebedingungen genannten Werkzeug hinausgehen.

Akku-Garantie

Die Garantie auf Silverline-Akkus beträgt 30 Tage. Falls innerhalb der Akku-Garantiefrist aufgrund von Material- oder Verarbeitungsfehlern ein Defekt an einem registrierten Akku auftritt, ersetzt Silverline diesen kostenlos. Diese Garantie gilt nicht bei gewerblicher Nutzung und erstreckt sich nicht auf natürliche Abnutzung oder Schäden infolge von Unfällen, unsachgemäßer Verwendung oder Zweckentfremdung.

CE Konformitätserklärung

Name des Unterzeichners: Mr. Darrell Morris

Bevollmächtigt durch: Silverline Tools

Erklärt hiermit, dass das Produkt:

This declaration has been issued under the sole responsibility of the manufacturer.

The object of the declaration is in conformity with the relevant Union harmonisation Legislation.

Ident.-Nr.: 846386

Produktbezeichnung: MMA Inverter-Lichtbogenschweißgerät, 100 A

Den folgenden Richtlinien und Normen entspricht:

- Maschinenrichtlinie 2006/42/EG
- EMV-Richtlinie 2014/30/EU
- RoHS-Richtlinie 2011/65/EU

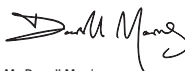
- EN60974-1:2012
- EN60974-10:2014

Benannte Stelle: TÜV SÜD Product Service

Techn. Unterlagen bei: Silverline Tools

Datum: 18.07.2016

Unterzeichnet von:



Mr. Darrell Morris

Geschäftsführender Direktor

Name und Anschrift des Herstellers:

Powerbox International Limited, Handelsregisternummer 06897059. Eingetragene Anschrift: Powerbox, Boundary Way, Lufton Trading Estate, Yeovil, Somerset BA22 8HZ, Großbritannien

Introducción

Gracias por haber elegido esta herramienta Triton. Estas instrucciones contienen la información necesaria para utilizar este producto de forma segura y eficaz. Lea atentamente este manual para obtener todas las ventajas y características únicas de su nueva herramienta. Conserve este manual a mano y asegúrese de que todas las personas que utilicen esta herramienta lo hayan leído y entendido correctamente.

Descripción de los símbolos

Los símbolos siguientes pueden aparecer en la placa de características de su herramienta. Éstos representan información importante sobre el producto o instrucciones relativas a su uso



Leve protección auditiva
Leve protección ocular
Leve protección respiratoria
Leve un casco de seguridad



Leve guantes de seguridad



Lea el manual de instrucciones



No utilizar en ambientes húmedos o bajo la lluvia



¡Riesgo de electrocución!



¡Peligro! Gases o humo tóxico



¡Peligro! Radiaciones ultravioletas



¡Peligro! Superficie muy caliente - NO TOCAR!



¡Peligro de incendio!



¡Peligro!



Protección de clase I (protección a tierra)



Conforme a las normas de seguridad y la legislación correspondiente



Protección medioambiental

Los productos eléctricos usados no se deben mezclar con la basura convencional. Están sujetos al principio de recogida selectiva. Solicite información a su ayuntamiento o distribuidor sobre las opciones de reciclaje.

Características técnicas

Tensión:	230 V, 50 Hz
Impedancia:	16 A
Tensión de entrada:	230 V: 17,2 A (pico), 12,1 A (nominal)
Intervalo de corriente:	25 – 100 A
Ciclo de trabajo nominal:	50% @ 100 A, 60% @ 91 A, 100% @ 71 A
Voltaje sin carga:	60 V
Tensión de salida:	22,8 V(71 A), 24 V(100 A)
Tamaño del electrodo:	1,6 – 3,2 mm
Clase de aislamiento:	H
Grado de protección:	IP21S
Grosor máximo de la soldadura (acero):	1 – 6 mm
Clase de protección:	⊕
Longitud del cable del soldador:	2 m
Longitud del cable de tierra:	1,5 m
Longitud del cable de alimentación:	2 m
Dimensiones (A x L x An):	350 x 140 x 240 mm
Peso:	4,6 kg

Como parte de nuestra política de desarrollo de productos, los datos técnicos de los productos Silverline pueden cambiar sin previo aviso.

Instrucciones de seguridad para herramientas eléctricas

ADVERTENCIA: Lea siempre el manual de instrucciones antes de utilizar esta herramienta. Las herramientas eléctricas pueden ser peligrosas y causar riesgo de incendio o descarga eléctrica si no se utilizan correctamente. Guarde estas instrucciones con la herramienta para poderlas consultar en el futuro.

ADVERTENCIA: No permita que los niños, personas discapacitadas o personas no cualificadas utilicen esta herramienta. Mantenga esta herramienta fuera del alcance de los niños.

PRECAUCIÓN: Utilice la herramienta eléctrica y los accesorios siguiendo siempre las instrucciones suministradas por el fabricante. El uso de cualquier accesorio diferente a los mencionados en este manual podría ocasionar daños o lesiones graves.

La expresión "herramienta eléctrica" se refiere a su herramienta alimentada por corriente eléctrica (herramienta alámbrica) o una herramienta eléctrica alimentada por baterías (herramienta inalámbrica).

- Mantenga el área de trabajo limpia y bien iluminada.** Las áreas de trabajo desordenadas y oscuras son peligrosas y pueden provocar un accidente.
- Entorno de trabajo adecuado.**
No utilice esta herramienta bajo la lluvia.
No utilice esta herramienta en áreas húmedas o mojadas.
Mantenga el área bien iluminada.
No utilice esta herramienta en áreas con gases o líquidos inflamables.
- Descargas eléctricas.** Evite el contacto con superficies puestas a tierra tales como tuberías, radiadores, estufas y refrigeradores.
- Mantenga alejadas a otras personas.** Mantenga alejados a los niños y personas que se encuentren a su alrededor mientras esté trabajando con una herramienta eléctrica.
- Almacenaje.** Guarde siempre las herramientas eléctricas en un lugar seco fuera del alcance de los niños.
- No fuerce la herramienta.** La herramienta correcta funcionará mejor y con más seguridad a la velocidad para la que se ha diseñado.

7. **Utilice las herramientas y accesorios adecuados.** No intente realizar un trabajo con una herramienta o accesorio que no sea adecuado.

8. **Vístase adecuadamente.**

No lleve ropa holgada ni joyas.

Lleve calzado antideslizante

Mantenga el pelo recogido.

9. **Use equipo de protección personal.**

Utilice siempre protección ocular.

Use máscara de protección anti-polvo.

ADVERTENCIA: No utilizar el equipo de protección adecuado puede provocar lesiones graves.

10. **Sistema de extracción de polvo.** Utilice siempre sistemas de extracción de polvo y asegúrese de que esté colocado adecuadamente.

11. **No doble el cable de alimentación.** No use nunca el cable de alimentación para transportar la herramienta eléctrica, tirar de ella o desenchufarla. Mantenga el cable de alimentación alejado de fuentes de calor, del aceite, de los bordes afilados o de las piezas móviles.

12. **Sujete las piezas de trabajo.** Utilice siempre abrazaderas o un tornillo de banco para sujetar la pieza de trabajo.

13. **No adopte posturas forzadas.** Manténgase en posición firme y el equilibrio en todo momento.

14. **Mantenimiento de las herramientas.**

Las herramientas de corte deben estar siempre afiladas y limpias. Las herramientas de corte correctamente afiladas son menos propensas a trabarse y son más fáciles de controlar.

Lubrique las piezas y accesorios necesarios.

Inspeccione el cable de alimentación periódicamente. En caso de estar dañado, contacte con un servicio técnico autorizado para su reparación.

Inspeccione los cables de extensión regularmente y repárelos si están dañados.

Mantenga siempre las empuñaduras limpias de grasa y aceite.

ADVERTENCIA: Muchos accidentes son causados por herramientas eléctricas que carecen de un mantenimiento adecuado.

15. **Desenchufe la herramienta.** Desconecte la herramienta eléctrica antes de instalar accesorios (brocas, fresas, disco de corte) o realizar cualquier tarea de mantenimiento.

ADVERTENCIA: Utilice sólo accesorios y piezas recomendadas por el fabricante.

16. **Retire todas las llaves de ajuste.** Retire siempre todas las llaves de ajuste antes de encender y utilizar la herramienta.

17. **Encendido accidental.** Asegúrese de que el interruptor esté en la posición de apagado antes de enchufar la herramienta.

ADVERTENCIA: El encendido accidental puede causar lesiones graves.

18. **Cables de extensión para exteriores.** Cuando utilice una herramienta eléctrica en el exterior, use un cable de extensión adecuado para uso en exteriores. La utilización de un cable adecuado para exteriores reduce el riesgo de descargas eléctricas.

19. **Manténgase alerta.**

Fíjese en lo que está haciendo y use el sentido común cuando esté utilizando una herramienta eléctrica.

No use herramientas eléctricas si se encuentra cansado o bajo la influencia de drogas, alcohol o medicamentos.

ADVERTENCIA: Un momento de distracción mientras esté utilizando una herramienta eléctrica puede provocar lesiones graves.

20. **Piezas en mal estado.**

Compruebe que su herramienta funcione correctamente antes de utilizarla. Revise que no haya piezas en movimiento mal alineadas, trabadas, piezas rotas o cualquier otra condición que pueda afectar el funcionamiento de la herramienta eléctrica.

Algunas de las piezas (ej. protector) deben ser reparadas solamente por un servicio técnico autorizado.

Los enchufes dañados deben repararse únicamente por un servicio técnico autorizado.

ADVERTENCIA: No utilice la herramienta si el botón de encendido/apagado no funciona correctamente. Repárelo en un servicio técnico autorizado.

21. **Reparación de su herramienta.** Lleve siempre su herramienta eléctrica a un servicio técnico cualificado. No seguir estas instrucciones podría provocar lesiones graves e invalidar la garantía.

ADVERTENCIA: Utilice únicamente piezas de recambio idénticas.

ADVERTENCIA: Si el cable de alimentación está dañado, deberá repararlo en un servicio técnico autorizado.

22. **El enchufe de la herramienta eléctrica debe coincidir con la toma de corriente.** No modifique nunca el enchufe de ninguna manera. No utilice ningún enchufe adaptador con herramientas eléctricas con tomas a tierra. Los enchufes no modificados y las tomas de corriente adecuadas reducirán el riesgo de descargas eléctricas.

23. **Si es inevitable trabajar con una herramienta eléctrica en lugares húmedos, use un suministro protegido por un interruptor diferencial o disyuntor por corriente diferencial o residual (RCD).** El uso de un RCD reduce el riesgo de descargas eléctricas.

ADVERTENCIA: Antes de conectar esta herramienta a la red eléctrica, asegúrese de que la tensión eléctrica sea la misma que el especificada en la placa de datos indicada en esta herramienta. No conecte esta herramienta a una fuente con una tensión inadecuada, podría dañar gravemente la herramienta y al usuario. En caso de duda, no conecte la herramienta a la red eléctrica. Utilizar una fuente con un voltaje inferior al valor nominal indicado en la placa de datos puede dañar el motor.

Enchufes polarizados (sólo para enchufes en América del Norte). Esta herramienta está equipada con un enchufe polarizado para evitar el riesgo de descarga eléctrica (uno de los conectores es más ancho que el otro). Este tipo de enchufe sólo puede encajar en una posición concreta. Si nota que el enchufe no encaja en la toma, dele la vuelta. Si sigue sin poder enchufarlo correctamente, contacte con un electricista cualificado. No intente cambiar el enchufe.

Instrucciones de seguridad relativas a la soldadura

- La soldadura produce vapores tóxicos y puede reducir el índice de oxígeno en el área de trabajo. Trabaje siempre en un área bien ventilada. Evite la inhalación de los vapores producidos durante la soldadura y utilice una mascarilla respiratoria adecuada cuando sea necesario.
- Algunas piezas metálicas contienen recubrimientos de zinc, cadmio, plomo u otro metal. Soldar SIEMPRE puesta una mascarilla adecuada para soldar. Retire siempre todos los recubrimientos antes de soldar.
- Si experimenta irritación en los pulmones, en la garganta o en los ojos mientras esta soldando, DETENGA INMEDIATAMENTE la herramienta y respire aire fresco.
- La soldadura produce índices extremadamente altos de rayos UV. Para evitar dañar los ojos, lleve SIEMPRE puesta una mascarilla adecuada para soldar. Bajo ninguna circunstancia mire directamente al arco.
- El arco de luz producido por esta herramienta es potencialmente peligroso para la vista. Asegúrese de que todas las personas que estén alrededor de la zona de trabajo lleven protección ocular.
- Si existe la posibilidad de que otras personas estén cerca del área de trabajo, monte una pantalla adecuada para protegerlas de la luz / resplandor.
- Sustituya la máscara de soldadura cuando la lente del visor esté dañada.
- Para evitar daños en la piel, vista SIEMPRE una chaqueta de manga larga a prueba de fuego, guantes contra el calor y gorra. Manténgase bien cubierto.
- Aleje siempre los materiales inflamables (por ejemplo, mecheros y cerillas) de sus prendas antes de comenzar a soldar.
- Asegúrese de tener un extintor cerca de la zona de trabajo. Las chispas y el contacto accidental con algunos materiales pueden causar un incendio.
- Las chispas producidas durante la soldadura pueden encender materiales inflamables. Asegúrese de que no existan materiales inflamables cerca de la zona de trabajo.
- Únicamente suelde cuando todas las piezas a soldar y el área de trabajo esté seca.
- No suelde contenedores sellados (por ejemplo, depósitos de combustible o aire y bidones de aceite). El calor generado por la soldadura puede provocar que los contenedores sellados exploten de repente.
- Este atento al calor transferido. Las piezas de metal pueden conducir el calor fuera del área de trabajo y provocar la ignición de materiales inflamables.
- Tenga cuidado con que las piezas soldadas ya que siguen calientes algún tiempo después de la unión. Deje que se enfríen completamente antes de manipularlas o dejarlas desatendidas.
- No suelde nunca donde existan gases, líquidos o polvos inflamables.
- Asegúrese siempre que haya una persona responsable cerca del área de trabajo para avisarle en caso de incendio o para pedir ayuda en caso de emergencia.

- La utilización de soldadores de arco crea grandes campos magnéticos. Esto puede perturbar el funcionamiento de los equipos electrónicos más sensibles. Las personas con marcapasos deben consultar a su médico antes de utilizar esta herramienta.
- No sobrecargue el suministro eléctrico. Compruebe que su cableado principal es capaz de proporcionar la corriente requerida de forma segura (véase "Características técnicas").

Características técnicas

1	Asa de transporte
2	Interruptor de encendido/apagado
3	Perilla de ajuste de intensidad de corriente
4	Toma para la pinza del electrodo
5	Toma para la pinza de conexión a tierra
6	Indicador de sobrecarga térmica
7	Indicador de tensión
8	Pinza de conexión a tierra
9	Conector de la pinza de conexión a tierra
10	Pinza del electrodo
11	Conector del cable del electrodo
12	Ranura de la punta del electrodo
13	Máscara para soldador
14	Filtro
15	Visor
16	Protector contra salpicaduras
17	Abrazaderas para el marco (x 2)
18	Tuercas para la empuñadura (x 3)
19	Tornillos para la empuñadura (x 3)
20	Elementos de fijación para el marco (x 2)
21	Mango
22	Martillo con cepillo

Aplicaciones

Soldador de arco invertir indicado para soldar metal. Funcionamiento mediante la utilización de varillas de soldadura. Requiere una conexión a una toma de corriente europea con toma de tierra CEE 7/3 o CEE7/5. Si es necesario, también puede sustituir el enchufe CEE 7/7 para utilizar esta herramienta en una toma de corriente de Reino Unido (16 A).

Desembalaje

- Desembale e inspeccione la herramienta con cuidado. Familiarícese con todas sus características y funciones.
- Asegúrese de que el embalaje contiene todas las partes y que están en buenas condiciones. Si faltan piezas o están dañadas, solicite su sustitución antes de utilizar esta herramienta.

Antes de usar

⚠ ADVERTENCIA: Desconecte siempre la herramienta de la toma de corriente antes de cambiar o sustituir cualquier accesorio.

ADVERTENCIA: Asegúrese de tener un extintor siempre cerca de la zona de trabajo.

Instalación de la máscara para soldar

Instrucciones de montaje:

1. Utilice los cierres de la máscara (indicado por flechas) para instalar la máscara de soldador (13) que se suministra plegada.
2. Coloque el mango (21) utilizando los tornillos y las tuercas (18 y 19). El mango debe estar colocado dentro de la máscara.
3. Instale el marco del filtro (14), el visor (15) y el protector contra salpicaduras (16) (ver imagen). Compruebe que el protector contra salpicaduras proteja adecuadamente el visor. Instalar el visor incorrectamente puede dañarlo, además, la luz ultravioleta podría provocar lesiones oculares al usuario.
4. Coloque el conjunto del visor en la máscara utilizando los elementos de fijación (20) y las abrazaderas (17) para el marco.

⚠ Conexión a la toma de corriente

Nota: Esta herramienta dispone de conexión a tierra y debe conectarse a una toma de corriente con toma a tierra. Nunca conecte esta herramienta a una toma de corriente sin toma de tierra.

Advertencia: Esta herramienta debe conectarse solamente en tomas de 16 A, las tomas de corrientes de 13 A utilizadas en Reino Unido son incompatibles con esta herramienta.

Este soldador incluye un cable de alimentación con enchufe europeo CEE 7/7 de 16 A para tomas de corriente europeas CEE 7/4 y 7/5. Si tiene alguna duda, contacte con un electricista cualificado. En caso de no disponer de toma de corriente tipo CEE7/7, necesitará sustituir el cable y el enchufe para poder conectarlo a toma de corriente requerida en su país. La legislación en algunos países requiere que la instalación del enchufe y el cable sea realizada por un electricista cualificado.

Nota: Si por algún motivo desea utilizar esta herramienta en Reino Unido, contacte con un electricista cualificado para sustituir el enchufe por uno de 16 A. Contacte con su distribuidor para adquirir enchufes (589694) y tomas de corriente (571518) de 16 A. Se recomienda instalar enchufes (42717) y tomas de corriente (457049) de 32 A para obtener mayor capacidad.

Nunca utilice esta herramienta sin conexión a tierra.

Nunca conecte esta herramienta en tomas de corriente menores de 16 A.

Nunca utilice cables de extensión con capacidad inferior a 16 A. Desenrolle el cable adecuadamente.

Nunca conecte esta herramienta directamente en terminales de alta tensión. Utilice siempre enchufes y tomas de corriente adecuadas.

Notas:

- El soldador debe conectarse a dispositivo de protección de corriente diferencial residual (RCD).
- Consulte las características técnicas para los detalles de la corriente máxima requerida por esta herramienta.
- En caso de duda, no intente conectar o utilizar este soldador hasta consultar previamente con un electricista cualificado.

Selección de la varilla de soldadura

- Para obtener una soldadura de buena calidad, se debe usar el tipo correcto de varilla de soldadura. Las varillas de soldar están disponibles en varios grososres, materiales y tipos de recubrimientos.
- Compruebe la tabla de especificaciones del fabricante de la varilla de soldadura para seleccionar la varilla adecuada para el tipo de soldadura a realizar.

Diámetro del electrodo e impedancia

Diámetro del electrodo	Impedancia
1,6 mm	40-50 A
2 mm	50-70 A
2,5 mm	75-100 A
3,2 mm	110-130 A
4 mm	140-200 A

Funcionamiento

⚠ **ADVERTENCIA:** Utilice siempre máscara para soldar, guantes de protección para soldadura y vestimenta resistente al calor antes de utilizar esta herramienta.

⚠ **ADVERTENCIA:** La soldadura produce vapores tóxicos y puede reducir el índice de oxígeno en el área de trabajo. Trabaje siempre en un área bien ventilada. Evite la inhalación de los vapores producidos durante la soldadura y utilice una mascarilla respiratoria adecuada cuando sea necesario.

ADVERTENCIA: Compruebe siempre que la herramienta no esté dañada. Preste especial atención a las conexiones y los cables. **NO UTILICE EL SOLDADOR** si algunas de las piezas están dañadas.

Nota: Compruebe que las carcasas y cubiertas estén correctamente cerradas.

Nota: Coloque el soldador de manera que no se mueva o incline mientras lo está utilizando. Deje al menos 500 mm de espacio libre alrededor del soldador para permitir la ventilación adecuada.

Encendido y apagado

- Coloque el interruptor de encendido/apagado (2) (situado en la parte posterior) en la posición "I" para encender la herramienta.
- Coloque el interruptor de encendido/apagado en la posición "0" para apagar la herramienta.

Ajuste de intensidad de corriente

- Para conseguir una soldadura de buena calidad es necesario ajustar la perilla de ajuste de intensidad de corriente (3) correctamente.
- Al girar la perilla de control de intensidad de corriente hacia la derecha se aumenta la corriente de soldadura, reduciéndose al girarla hacia la izquierda.

Ciclo de trabajo

- Esta herramienta no está diseñada para soldar de forma permanente con corrientes de alta intensidad. Las soldaduras continuas y excesivas pueden sobrecalentar la herramienta y dañar los componentes internos.
- Esta herramienta está equipada con interruptor térmico contra sobrecargas. La herramienta se apagará automáticamente si se supera el ciclo de trabajo permitido.
- El ciclo de trabajo (véase "Características técnicas") define la cantidad de minutos, cada diez minutos, durante los cuales la máquina puede soldar.
- Para un ciclo de trabajo del 30 %, la herramienta puede utilizarse durante 3 minutos. A continuación, deberá dejarla enfriar durante 7 minutos.
- Si se excede en el ciclo de trabajo, la herramienta se detendrá automáticamente.
- Utilizar esta herramienta con un ajuste de intensidad de corriente reducido y una buena ventilación maximizarán el ciclo de trabajo.
- El indicador de protección térmica contra sobrecargas (6) se iluminará cuando supere el ciclo de trabajo permitido. La luz se apagará una vez se haya enfriado la herramienta.
- Es recomendable dejar enfriar la herramienta durante 3 minutos después de que el indicador de protección térmica contra sobrecargas se haya apagado.

Preparación antes de soldar

- Asegúrese de que las piezas que serán soldadas estén limpias y libres de polvo, pintura y otros acabados.
- Para realizar una junta de soldadura, todas las piezas deben estar sujetas de forma correcta y disponer de un espacio de aproximadamente 1 mm.
- Compruebe que no haya materiales inflamables cerca del área de trabajo.
- Coloque la pinza de conexión a tierra (8) en una zona limpia de una de las partes, lo más cerca posible del área donde realizará la soldadura, de la manera más práctica posible.

Nota: Para mejorar la conectividad entre la pinza de conexión a tierra y la pieza de trabajo enrolle alambre de cobre alrededor de los dientes de la pinza.

- Apriete para abrir la pinza del electrodo (10). Inserte el electrodo en las mordazas y suéltelo. El electrodo debería estar completamente sujeto por la parte metálica (no por la parte revestida).
- Asegúrese de que haya una persona responsable cerca del área de trabajo y de disponer de un extintor a mano.
- Enchufe la herramienta a la toma de corriente.

Soldadura

ADVERTENCIA: Utilizar correctamente un soldador requiere habilidad técnica. Si se utiliza de forma incorrecta, puede ser muy peligroso. La información que se detalla a continuación es simplemente una guía general. Si no está completamente seguro de cómo utilizar esta herramienta de manera segura, **NO LA UTILICE.**

- Coloque el interruptor de encendido/apagado (10) (situado en la parte posterior) en la posición "I".
- Sujete la pinza del electrodo (10) con una mano y la máscara de soldar (13) en la otra.
- Coloque la varilla a 80° sobre la superficie de trabajo, con la punta a 30 mm de distancia del metal.
- Sujete la máscara de soldar (12) en su rostro y coloque la varilla en el metal.
- Ahora debería formarse un arco entre el metal y la punta. Procure sostener la varilla a una distancia del metal equivalente al grosor de la varilla. Mantenga el arco durante 1 - 2 segundos y a continuación retire la varilla.
- Deje que la varilla se enfríe ligeramente y retire la máscara de su rostro. Si los ajustes son los correctos, se debe formar un "punto" de soldadura redondo.
- Incrementalmente la intensidad de corriente cuando la soldadura no penetre correctamente en el metal. Reduzca la intensidad de corriente si es necesario para no perforar el metal.
- Practique antes realizando "puntos" de soldadura hasta que esté seguro de cómo ajustar y utilizar la herramienta adecuadamente.
- Para obtener una soldadura perfecta, mantenga el arco de soldadura en una posición fija a la vez que mueve la varilla a través de la junta para soldar. La velocidad a la que la varilla se mueve es esencial para lograr una soldadura de buena calidad.
 - Si los ajustes son los correctos, el arco debe ser constante y producir un sonido crujiente. Necesitará mover el electrodo gradualmente más cerca del metal a medida que utilice la varilla.
 - Cuando acabe de soldar, retire el exceso y salpicaduras utilizando un martillo con cepillo. Nunca intente soldar puntos que no estén totalmente limpios.
 - Lleve tiempo adquirir la habilidad para lograr soldaduras de alta calidad. La práctica y la buena preparación deben dar como resultado soldaduras satisfactorias.

Accesorios

- Existen gran variedad de accesorios, máscara para soldar con visor (868520, 934295, 757060), martillo de soldador (515858), delantal de soldador (633505) y guantes de soldador (282389) para esta herramienta disponibles en su distribuidor Silverline más cercano o a través de www.toolsparsonline.com

Mantenimiento

⚠ **ADVERTENCIA:** Desconecte siempre la herramienta de la toma eléctrica antes de realizar cualquier tarea de mantenimiento o limpieza.

- Si el cable de alimentación está dañado, deberá sustituirlo en un servicio técnico autorizado.
- Si el fusible se funde, sustitúyalo por uno de iguales características. Contacte inmediatamente con un servicio técnico autorizado si el fusible se vuelve a fundirse después de sustituirlo.

Inspección general

- Compruebe regularmente que todos los tornillos y elementos de fijación estén bien apretados. Con el paso del tiempo pueden vibrar y aflojarse.
- Inspeccione el cable de alimentación antes de utilizar esta herramienta y asegúrese de que no esté dañado. Las reparaciones deben realizarse por un servicio técnico Silverline autorizado.

Limpeza

- Mantenga la herramienta siempre limpia. La suciedad y el polvo pueden dañar y reducir la vida útil su herramienta. Utilice un cepillo suave o un paño seco para limpiar la herramienta. Si dispone de un compresor de aire comprimido, sople con aire seco y limpio para limpiar los orificios de ventilación.
- Limpie la carcasa de la herramienta con un paño húmedo y detergente suave. Nunca utilice alcohol, combustible o productos de limpieza.
- Nunca utilice agentes cáusticos para limpiar las piezas de plástico.

Almacenaje

- Guarde esta herramienta y accesorios en un lugar seco y seguro fuera del alcance de los niños.

Reciclaje

Deshágase siempre de las herramientas eléctricas adecuadamente respetando las normas de reciclaje indicadas en su país.

- No deseche las herramientas y aparatos eléctricos junto con la basura convencional. Reciclelos siempre en puntos de reciclaje.
- Póngase en contacto con la autoridad local encargada de la gestión de residuos para obtener más información sobre cómo reciclar este tipo de herramientas correctamente.

Solución de problemas

Problema	Causa	Solución
Falta de alimentación eléctrica.	Fusible fundido / Interruptor diferencial ha saltado.	Reinicie el interruptor diferencial / Sustituya el fusible.
	Fusible interno fundido.	Sustituya el fusible.
El soldador se detiene durante el funcionamiento	Se ha superado el ciclo de trabajo. El indicador de sobrecarga térmica (6) se ha iluminado	Deje enfriar el soldador durante 20 – 30 minutos
Soldadura de mala calidad	Ajuste de intensidad de corriente incorrecto	Ajuste la intensidad de corriente (3)
	Electrodo / varilla de soldadura incorrectos	Sustituya el electrodo / varilla de soldadura
	Conexión a tierra de la pieza de trabajo incorrecta	Compruebe la pinza de conexión a tierra (8). Asegúrese de que la pieza de trabajo no tenga grasa, pintura o revestimientos que puedan causar una conexión de mala calidad.

Garantía

Este producto Silverline dispone de una garantía de 3 años.

Registre el producto en www.silverlinetools.com antes de que transcurran 30 días a partir de la fecha de compra para obtener la garantía de 3 años. El periodo de garantía comienza desde la fecha indicada en su recibo de compra.

Registro del producto

Visite: silverlinetools.com, seleccione el botón de registro e indique:

- Sus datos personales
- Detalles del producto e información de compra

El certificado de garantía le será enviado en formato PDF. Imprímalo y guárdelo con el producto.

Condiciones

El periodo de garantía entra en vigor a partir de la fecha indicada en el recibo de compra.

GUARDE EL RECIBO DE COMPRA

En caso de que el producto se averíe antes de que transcurran 30 días desde la fecha de compra, devuélvalo al distribuidor donde lo compró, junto con el recibo y los detalles de la avería. Le sustuiremos el producto o le reembolsaremos el importe.

Si el producto se avería después de que transcurran 30 días desde la fecha de compra, devuélvalo a:

Servicio Técnico Silverline Tools

PO Box 2988

Yeovil

BA21 1WU, Reino Unido.

La reclamación siempre debe presentarse durante el periodo de garantía.

Antes de poder realizar cualquier trabajo de reparación, deberá entregar el recibo de compra original en el que se indica la fecha de compra, su nombre, dirección y el lugar donde lo adquirió.

También deberá indicar claramente los detalles del fallo a reparar.

Las reclamaciones presentadas dentro del periodo de garantía deberán ser verificadas por Silverline Tools para averiguar si las deficiencias son consecuencia de los materiales o de la mano de obra del producto.

Los gastos de transporte no son reembolsables. Los productos a devolver deberán estar limpios y en buenas condiciones para su reparación, debiendo empaquetarse cuidadosamente con el fin de prevenir daños o lesiones durante el transporte. Nos reservamos el derecho a rechazar envíos incorrectos o inseguros.

Todas las reparaciones serán realizadas por Silverline Tools o por un servicio técnico de autorizado.

La reparación o sustitución del producto no prolongará el periodo de garantía.

Si los defectos están cubiertos por la garantía, la herramienta será reparada sin cargo alguno (salvo los gastos de envío), o bien la sustuiremos por una herramienta en perfecto estado de funcionamiento.

Las herramientas o piezas que hayan sido sustituidas serán propiedad de Silverline Tools.

La reparación o sustitución del producto bajo garantía aporta beneficios adicionales a sus derechos legales como consumidor, sin afectarlos.

Qué está cubierto:

Silverline Tools deberá comprobar si las deficiencias se deben a materiales o mano de obra defectuosos dentro del periodo de garantía.

En caso de que cualquier pieza no estuviera disponible o estuviera fuera de fabricación, Silverline Tools la sustituirá por una pieza funcional con las mismas características.

Uso del producto en la Unión Europea.

Qué no está cubierto:

Silverline Tools no garantiza las reparaciones causadas por:

Desgaste normal por uso adecuado de la herramienta, por ejemplo hojas, escobillas, correas, bombillas, baterías, etc...

La sustitución de cualquier accesorio suministrado: brocas, hojas, papel de lija, discos de corte y otras piezas relacionadas.

Daño accidental, averías debidas a uso o cuidado negligente, uso incorrecto, negligencia, funcionamiento o manejo indebido del producto.

Utilizar del producto para una finalidad distinta.

Cualquier cambio o modificación del producto.

El uso de piezas y accesorios que no sean recambios originales de Silverline Tools.

Instalación incorrecta (excepto si fue realizada por Silverline Tools).

Reparaciones o alteraciones realizadas por servicios técnicos no autorizados por Silverline Tools.

Las reclamaciones distintas a las indicadas en las presentes condiciones de garantía no estarán cubiertas.

Garantía para baterías

Las baterías Silverline disponen de 30 días de garantía. Si durante el periodo de garantía apareciera algún defecto en la batería debido a la fabricación o materiales defectuosos, Silverline se hará cargo de la reparación o sustitución del producto de forma gratuita. Esta garantía no se aplica al uso comercial por desgaste de uso normal, daños accidentales o por mal uso de este producto.

Declaración de conformidad CE

El abajo firmante: Mr Darrell Morris

Autorizado por: Silverline Tools

Declara que el producto:

La presente declaración de conformidad se expide bajo la exclusiva responsabilidad del Fabricante. El objeto de la declaración descrita anteriormente es conforme a la legislación comunitaria de armonización pertinente.

Código de identificación: 846386

Descripción: Soldador de arco inverter 100 A, MMA

Está en conformidad con las directivas:

- Directiva de máquinas 2004/108/CE
- Compatibilidad electromagnética 2014/30/UE
- Directiva RoHS 2004/95/UE
- EN60974-1:2012
- EN60974-10:2014

Organismo notificado: TÜV SÜD Product Service.

La documentación técnica se conserva en: Silverline Tools

Fecha: 18/07/16

Firma:



Mr Darrell Morris

Director General

Nombre y dirección del fabricante:

Powerbox International Limited, N° de registro: 06897059. Dirección legal: Powerbox, Boundary Way, Lufton Trading Estate, Yeovil, Somerset BA22 8HZ, Reino Unido.

Introduzione

Grazie per aver acquistato questo utensile Triton. Queste istruzioni contengono informazioni utili per il funzionamento sicuro ed affidabile del prodotto. Per essere sicuri di utilizzare al meglio il potenziale dell'utensile si raccomanda pertanto di leggere a fondo questo manuale. Conservare il manuale in modo che sia sempre a portata di mano e accertarsi che l'operatore dell'elettroutensile lo abbia letto e capito a pieno.

Descrizione dei simboli

La targhetta sul vostro strumento può mostrare simboli. Questi rappresentano importanti informazioni sul prodotto o le istruzioni sul suo utilizzo.



Indossare la protezione dell'udito
Indossare occhiali protettivi
Indossare protezione delle vie respiratorie
Indossare una protezione per la testa



Indossare la protezione delle mani



Leggere il manuale di istruzioni



NON utilizzare in caso di pioggia o di ambienti umidi!



Rischio di folgorazione!



Pericolo di fumi di saldatura tossici



Pericolo di radiazioni ultraviolette



Pericolo superfici calde



Pericolo di Fuoco



Attenzione!



Costruzione di classe I (conduttore di protezione)



Conforme alla normativa e alle relative norme di sicurezza.



Protezione Ambientale

I prodotti elettrici non devono essere smaltiti insieme ai rifiuti domestici. Si prega di riciclare in strutture apposite. Verificare con le autorità locali o il rivenditore per consigli sul riciclaggio

Specifiche

Tensione di ingresso:.....	230V - 50Hz
Allacciamento alla rete:	16A
Corrente di ingresso:	230V: 17.2A (picchio), 12.1A (efficace)
Campo corrente di uscita:.....	25-100A
Ciclo di lavoro:.....	50% @ 100A, 60% @ 91A, 100% @ 71A
Tensione di uscita a vuoto:.....	60V
Tensione di uscita:.....	22.8V(71A), 24V(100A)
Dimensioni dell'elettrodo:.....	1.6 - 3.2mm
Classe di isolamento:.....	H
Protezione dell'ingresso:.....	IP21S
Gamma di spessori di saldatura (acciaio):.....	1 - 6mm
Classe di protezione:.....	⊕
Lunghezza cavo elettrodi:.....	2.0m
Lunghezza del cavo a terra:.....	1.5m
Lunghezza del cavo elettrico:.....	2.0m
Dimensioni (L x P x A):.....	350 x 140 x 240 mm
Peso:.....	4.6kg

Come parte del nostro sviluppo continuo, specifiche dei prodotti Silverline possono essere modificati senza preavviso

Avvertenze generali di sicurezza

ATTENZIONE! Quando si utilizzano utensili elettrici, le precauzioni di sicurezza di base dovrebbero essere sempre seguite per ridurre il rischio di incendi, scosse elettriche e lesioni personali incluse le seguenti informazioni di sicurezza. Leggere tutte le istruzioni prima di utilizzare il prodotto e conservare queste istruzioni per un utilizzo futuro.

ATTENZIONE: Questo apparecchio non è destinato all'uso da parte di persone (inclusi i bambini) con capacità ridotta, fisiche o mentali o con mancanza di esperienza o di conoscenza, a meno che non siano controllati o istruiti all'uso dell'apparecchio da una persona responsabile della loro sicurezza. I bambini devono essere sorvegliati per assicurarsi che non giochino con l'apparecchio.

ATTENZIONE: Utilizzare lo strumento, accessori, attrezzi, ecc in conformità alle presenti istruzioni, tenendo conto delle condizioni di lavoro e il lavoro da svolgere. L'uso di utensili elettrici per usi diversi da quelli consentiti potrà dar luogo a situazioni di pericolo.

Il termine "elettroutensile" nelle avvertenze si riferisce ad un elettroutensile di rete fissa (con filo) o un utensile a batteria (senza filo).

- Mantenere l'area di lavoro libero** - Il disordine e panchine invitano gli infortuni
- Considerare l'ambiente di lavoro**
 - Non esporre gli utensili alla pioggia
 - Non utilizzare gli strumenti in luoghi umidi o bagnati
 - Mantenere l'area di lavoro ben illuminata
 - Non usare utensili in presenza di liquidi o gas infiammabili
- Protezione contro le scosse elettriche** - Evitare il contatto fisico con superfici collegate a terra (p.es. tubi, caloriferi, fornelli, frigoriferi)
- Tenere le altre persone lontane** - Non consentire a persone, soprattutto bambini, non coinvolti nei lavori toccare l'utensile o il cavo di prolunga e tenerli lontani dall'area di lavoro
- Riporre gli elettroutensili** - Quando non è in uso, gli strumenti devono essere conservati in un luogo chiuso a chiave asciutto, fuori dalla portata dei bambini
- Non forzare lo strumento** - Si eseguirà il lavoro meglio e più sicuro alla velocità per la quale è stato previsto
- Utilizzare lo strumento giusto** - Non forzare piccoli attrezzi per fare il lavoro di un attrezzo pesante

Non usare utensili per scopi non previsti, ad esempio non utilizzare seghe circolari per tagliare grossi tronchi

8 - Abbigliamento adeguato

- Non indossare abiti larghi o gioielli, che possono rimanere impigliati nelle parti in movimento
- calzature di sicurezza adatte sono consigliate quando si lavora all'aperto.
- Indossare rivestimento di protezione per contenere i capelli lunghi

9 - Utilizzare dispositivi di protezione

- Usare occhiali di sicurezza
- Utilizzare una mascherina antipolvere, se le operazioni di lavoro creano polvere

ATTENZIONE: Non utilizzare dispositivi di protezione o abbigliamento adeguato che può causare lesioni personali o aumentare la gravità di un infortunio.

10 - Collegare apparecchiature di aspirazione

- Se lo strumento è previsto per il collegamento di aspirazione della polvere e di raccolta delle apparecchiature, assicurarsi che siano collegati e utilizzati correttamente

11 - Non abusare del cavo di alimentazione

- Non tirare mai il cavo di alimentazione per scollegarlo dalla presa. Tenere il cavo di alimentazione lontano da bordi di calore, olio e bordi taglienti. Cavi di alimentazione danneggiati o aggrovigliati aumentano il rischio di scosse elettriche

12 - Lavoro sicuro

- Dove possibile utilizzare pinze o morse per bloccare il lavoro. È più sicuro che usare le mani

13 - Non sbilanciarsi

- Mantenere sempre la posizione e l'equilibrio in ogni momento

14 - Mantenere gli utensili elettrici con cura

- Mantenere gli utensili da taglio affilati e tutti rende più facile da controllare lo strumento e meno probabilità di legarsi o bloccare il pezzo in lavorazione
- Seguire le istruzioni per la lubrificazione e la sostituzione degli accessori
- Controllare i cavi di alimentazione degli strumenti periodicamente e se danneggiato mandarle in riparazione presso un centro di assistenza autorizzato
- Controllare che i cavi di prolunga periodicamente e sostituirlo se danneggiato
- Mantenere le impugnature asciutte, pulite e prive di olio e grasso

ATTENZIONE: Molti incidenti sono causati da una scarsa manutenzione.

15 - Scollegare i strumenti

- Scollegare lo strumento dalla rete elettrica, quando non è in uso, prima della manutenzione e durante il cambio di accessori come lame, punte e frese.

ATTENZIONE: L'uso di accessori o ricambi non raccomandati dal produttore può comportare un rischio di lesioni alle persone.

16 - Rimuovere le chiavi di registro e chiavi

- formare l'abitudine di controllare per vedere che le chiavi di registro vengono rimossi dallo strumento prima di accenderlo

17 - Evitare avvii accidentali

- Controllare che l'interruttore sia in posizione " off " per il collegamento ad una presa di rete o durante l'inserimento di una batteria, o al quando ritirando o trasportando lo strumento

ATTENZIONE: L'avviamento non intenzionale di uno strumento è in grado di causare lesioni importanti.

18 - Utilizzare prolunghe esterne

- Quando lo strumento viene utilizzato all'aperto, utilizzare solo prolunghe per uso esterno e in modo marcato. L'uso di un cavo di prolunga adatto per l'uso esterno riduce il rischio di scosse elettriche

19 - Fare attenzione

- Fate attenzione a quello che state facendo, usare il buon senso e non azionare l'utensile quando si è stanchi
- Non utilizzare uno strumento di potere, mentre si è sotto l'effetto di droghe, alcol o medicinali

ATTENZIONE: Un attimo di distrazione durante l'uso può causare gravi lesioni personali.

20 - Controllare le parti danneggiate

- Prima di un ulteriore utilizzo dell'utensile, esso deve essere attentamente controllato per determinare che funzioni correttamente per svolgere la funzione prevista
- Verificare l'allineamento di parti in movimento, legando di parti in movimento, danni ai componenti, montaggio e altre condizioni che possono compromettere il funzionamento

- Una guardia o altre parti danneggiate devono essere adeguatamente riparate o sostituite da un centro di assistenza autorizzato se non diversamente indicato nel presente manuale di istruzioni
- Gli interruttori difettosi devono essere sostituiti da un centro di assistenza autorizzato

ATTENZIONE: Non utilizzare lo strumento se l'interruttore on / off non si accende e spegne. L'interruttore deve essere riparata prima di utilizzare l'utensile.

21 - Far riparare da personale qualificato

- Questo utensile elettrico è conforme alle norme di sicurezza. Le riparazioni devono essere eseguite esclusivamente da personale qualificato, altrimenti questo può comportare un notevole pericolo per l'utente

ATTENZIONE: Per la manutenzione utilizzare solo parti di ricambio identiche.

ATTENZIONE: Se il cavo di alimentazione è danneggiato, deve essere sostituito dal produttore o da un centro di assistenza autorizzato.

22 - La presa dello strumento deve corrispondere alla presa di corrente

- Non modificare la spina in alcun modo. Non usare adattatori per spine con utensili elettrici messa a terra (messa a terra). Le spine non modificate e le prese adatte allo scopo riducono il rischio di scosse elettriche

23 - In caso di funzionamento di un utensile elettrico all'esterno utilizzare un dispositivo di corrente residua (RCD)

- Utilizzo di un RCD riduce il rischio di scosse elettriche

NB: Il termine "dispositivo di corrente residua (RCD)" può essere sostituito con il termine "interruttore differenziale (salvavita)" o "interruttore differenziale (ELCB)".

Sicurezza di Saldatura

- Saldatura produce fumi tossici e possono ridurre i livelli di ossigeno nella zona di lavoro. Lavorare sempre in un ambiente ben ventilato. Evitare l'inalazione di fumi di saldatura, usare un respiratore adeguato, se del caso
- Alcune parti metalliche possono contenere zinco, piombo, cadmio o altri rivestimenti. Il tentativo di saldare attraverso questi rivestimenti possono produrre fumi altamente tossici. Rimuovere sempre tutti i rivestimenti prima della saldatura
- In caso di irritazione ai polmoni, gola o occhi, mentre eseguendo una saldatura, FERMARSI IMMEDIATAMENTE e cercare aria fresca
- Saldatura produce alti livelli di raggi UV. Per evitare danni agli occhi, utilizzare sempre una maschera di saldatura. In nessun caso guardare direttamente l'arco
- La luce prodotta durante la saldatura ad arco può essere belle da vedere, soprattutto per i bambini. Sempre evitare che altri utenti visualizzano la luce di saldatura ad arco con gli occhi non protetti
- Se c'è la possibilità di altre persone che si avvicinano alla zona di lavoro, erigere uno screening di protezione per proteggerli dalla luce / abbagliamento
- Sostituire sempre il vetro della maschera da saldatore non appena mostra segni di usura o danni
- Per evitare danni alla pelle, indossare SEMPRE una giacca a maniche lunghe adeguato a prova di fuoco, guanti ignifughi, e cappuccio. Tenervi coperti
- Rimuovere sempre i materiali infiammabili (ad esempio accendisigari, fiammiferi) da i vestiti prima della saldatura
- Tenere sempre un estintore nelle vicinanze durante la saldatura
- Scintille generate durante la saldatura può raggiungere materiali infiammabili facilmente nella zona di saldatura, per cui è importante rimuovere materiali infiammabili prima di iniziare la saldatura
- Solo saldare quando l'area di lavoro e tutti i pezzi sono asciutti
- Non saldare contenitori sigillati (ad esempio serbatoi di carburante, serbatoi d'aria, fusti di olio). Il calore generato dalla saldatura possono causare i contenitori sigillati a scoppiare senza preavviso
- Essere consapevoli di calore trasferito. Le parti metalliche possono condurre il calore lontano dalla zona di lavoro e causare l'accensione di materiali infiammabili
- Essere consapevoli del fatto che le parti saldate rimangono calde per un certo periodo dopo l'adesione. Lasciare raffreddare completamente prima di toccare, o di lasciare incustodito
- Non saldare se sono presenti gas infiammabili, liquidi o polveri
- Assicurarsi che ci sia sempre una persona responsabile vicino per avvisare l'utente di tutti gli incendi, o di chiamare aiuto in caso di emergenza

- L'utilizzo di macchine per la saldatura creerà potenti campi magnetici. Questo può disturbare il funzionamento di apparecchiature elettroniche sensibili. Portatori di pacemaker dovrebbero consultare un medico prima di utilizzare una saldatrice
- Non sovraccaricare l'alimentazione. Verificare che i fili di alimentazione di rete è in grado di erogare la corrente richiesta con sicurezza (vedi specifiche)

Familiarizzazione Prodotto

1	Maniglia di trasporto
2	Interruttore On/Off
3	Ghiera della corrente
4	Spina elettrodo
5	Presa a terra
6	Indicatore sovra-riscaldamento
7	Indicatore accensione
8	Morsa a terra
9	Connettore cavo a terra
10	Morsa elettrodo
11	Connettore cavo elettrodo
12	Foro per asta elettrodo
13	Maschera di protezione saldatura
14	Telaio del filtro
15	Vetro di saldatura
16	Scudo anti-spruzzo
17	Ganci per tenuta telaio (x2)
18	Dadi della maniglia (x3)
19	Bulloni della maniglia (x3)
20	Perni del telaio (x2)
21	Maniglia maschera
22	Spazzola a martello

Destinazione d'uso

Monofase manuale saldatore in metallo con aste elettrodi (bastoni) per creare le saldature in metalli ferrosi. Richiede una connessione europea di rete 16A CEE 7/5 connessione a massa.

In alternativa, la spina CEE 7/7 rete può essere rimossa in modo che il saldatore può essere utilizzato con un allacciamento adatto 16A ad alta corrente alla rete nel Regno Unito.

Disimballaggio

- Togliere con cura l'utensile dallo scatolo. Verificare di averlo disimballato completamente. Acquisire la necessaria familiarità con tutte le parti/ funzionalità dell'utensile.
- In caso di parti mancanti o danneggiate, sarà necessario far riparare o sostituire tali parti prima di utilizzare il prodotto.

Prima dell'uso

⚠ ATTENZIONE: Assicurarsi che lo strumento è scollegato dalla rete elettrica e raffreddare prima di collegare o cambiare gli accessori, o fare qualsiasi regolazione.

ATTENZIONE: Assicuratevi sempre che vi sia un adeguato estintore vicino alla zona di lavoro.

Assemblare la maschera, come mostrato.

1. Utilizzare la clip a tenuta maschera (freccia) per assemblare la maschera da saldatore confezionata (13) nella sua forma normale
2. Inserire la maniglia della maschera (21) utilizzando i dadi e bulloni (18 e 19). La maniglia deve essere all'interno del corpo maschera di saldatura per proteggere la mano dell'operatore dal spruzzi
3. Montare il telaio del filtro (14) con il vetro (15) e scudo spruzzi (16) come mostrato. Assicurarsi che lo scudo protegge il vetro di saldatura da schizzi di saldatura. Se la lastra di saldatura è montata come strato esterno può essere danneggiato dagli schizzi e può consentire luce ultravioletta pericolosa di raggiungere gli occhi dell'operatore
4. Inserire il gruppo di vetro nella maschera da saldatore con i perni del telaio (20) e ganci tenuta telaio (17)

⚠ Collegamento alla rete

NB: Questo strumento è collegato a terra e deve essere collegato esclusivamente alla rete con un collegamento a terra. Non tentare di usarlo senza una connessione di terra.

Attenzione: questo saldatore richiede una connessione di rete 16A e non è adatto per il collegamento ad una presa di rete nel Regno Unito 13A quando viene utilizzato a 100A. Per questo motivo non è fornito con una spina convertitore UK pre-montata.

Questa saldatrice ad arco viene fornita pre-equipaggiata con un 7/7 di rete CEE 16A messa a terra spina adatta per Germania e Francia, e altri paesi che adottano gli stessi standard CEE 7/3 e 7/5 per prese di rete. Se non si dispone di una presa adatta a disposizione compatibile con una spina CEE 7/7 esso dovrà essere sostituito da un tappo adatto o un cavo di sostituzione con la spina per il vostro paese. A seconda della legislazione del proprio paese questo può richiedere il montaggio da un elettricista qualificato. In alternativa, un convertitore può essere disponibile per adattare la spina CEE 7/7, ma deve essere messo a terra e in grado di gestire 16A.

NB: Per l'uso nel Regno Unito, consultare un elettricista qualificato per quanto riguarda l'installazione di una presa ad alta corrente adatto per un saldatore che richiede 16A. Una spina adatto 16A (589694) e la presa (571518) sono disponibili presso il vostro rivenditore Silverline, ma la presa deve essere installata da un elettricista qualificato. Può essere preferibile montare una spina 32A (427717) e la presa (457049) per consentire al saldatore di essere aggiornato ad un modello più potente in un secondo momento.

Non tentare di utilizzare questa saldatrice senza una connessione di terra

Non collegare questa saldatrice ad una presa di corrente che non è valutata a 16A o più

Non usare un cavo di prolunga che non è in grado di gestire 16A, e sempre srotolare completamente il cavo

IMPORTANTE: Si consiglia di utilizzare una disposizione di spina e presa in modo che il saldatore possa essere completamente isolato quando necessario

NB:

- La saldatrice deve essere collegato ad un centralino con un DMC integrato, utilizzando un circuito protetto da un interruttore differenziale
- Si prega di fare riferimento alla specifica per i dettagli della corrente massima richiesta dal presente saldatore
- In caso di dubbi, non tentare di collegare o utilizzare questo saldatore fino a quando un elettricista professionista è stato consultato

Selezione per canne di saldatura

- Per produrre una saldatura di buona qualità, il tipo corretto di asta da saldatura deve essere usata. Canne di saldatura sono disponibili in una varietà di spessori e materiali, e con una gamma di rivestimenti
- Fare riferimento alle linee di guida asta dei produttori per selezionare l'asta giusta per le vostre esigenze

Guida alla selezione della corrente e dell'elettrodo

Diametro Elettrodo	Corrente saldatura
1.6mm	40-50A
2.0mm	50-70A
2.5mm	75-100A
3.2mm	110-130A
4.0mm	140-200A

Operazione

⚠ **ATTENZIONE:** Indossare sempre una maschera di saldatura, guanti ed indumenti resistenti al calore quando si lavora con questo strumento.

⚠ **ATTENZIONE:** Fumi tossici possono essere emessi da saldatura e protezione respiratoria adeguata è necessaria. Legga la sicurezza della saldatura e rivolgersi al proprio corpo di governo per la sicurezza nazionale sulla salute per ulteriori informazioni. Nel Regno Unito informazioni sono disponibili su www.hse.gov.uk/welding

ATTENZIONE: Controllare sempre la macchina per eventuali danni o usura. Prestare particolare attenzione ai cavi. Se si riscontrano danni, NON UTILIZZARE.

NB: Prima dell'uso, controllare che tutti i involucri o rivestimenti siano chiusi e fissati.

NB: Posizionare il saldatore per garantire che non si muova, o ribalta, in uso. Assicurarsi che ci siano almeno 500 mm di spazio libero intorno al saldatore, per consentire una corretta ventilazione.

Accensione e spegnimento

- Accendere la saldatrice spostando l'interruttore On / Off (2) (che si trova sul retro del saldatore) nella posizione 'I'
- Spegnerla la saldatrice spostando l'interruttore On / Off in posizione 'O'

Selezione corrente

- Per ottenere una saldatura di buona qualità, il selettore di corrente (3) deve essere impostato correttamente
- Ruotando la manopola in senso orario la corrente aumenterà; ruotando la manopola in senso antiorario si riduce la corrente di saldatura

Ciclo di lavoro / Salva vita

- La macchina non è stata progettata per saldare costantemente con le impostazioni correnti più elevate. Un'eccessiva saldatura continua provoca il surriscaldamento e danni ai componenti interni
- La macchina è dotata di una protezione termica. Se la macchina è sovraccarica, o utilizzato oltre il suo ciclo, essa si spegne automaticamente
- Il ciclo di lavoro (vedi specifica) definisce il numero di minuti in ogni 10 minuti che la macchina può saldare
- Per un ciclo del 30%, la macchina può essere utilizzata per 3 minuti, quindi deve essere consentito 7 minuti per raffreddarsi
- Se viene superato il ciclo, la macchina si spegnerà automaticamente
- Utilizzare la macchina con le impostazioni di corrente ridotte e il mantenimento di una buona ventilazione ci permetterà di ottimizzare il ciclo di lavoro
- Quando viene raggiunto il limite di ciclo, l'indicatore termico (6) si accende. La luce si spegne quando la macchina si è raffreddata ed è pronta per essere riutilizzata
- Come precauzione, si consiglia che la macchina viene lasciata per raffreddarsi per altri tre minuti dopo che l'Indicatore di surriscaldamento si è spento, al fine di garantire la temperatura di raffreddamento è stata rispettata

Preparazione per saldare

- Assicurarsi che le parti da unire sono pulite, ed esenti da ruggine, vernice o altri rivestimenti.
- Tutte le parti devono essere ben supportate, con un distacco di circa 1 mm in cui si intende formare il giunto saldato.
- Verificare che non ci siano materiali infiammabili nelle vicinanze della zona di lavoro
- Fissare il morsetto messo a terra (8) ad una superficie pulita di una delle parti, il più vicino possibile a dove sarà realizzata la saldatura.

NB: Migliorare connessione tra il morsetto di massa e il pezzo avvolgendo un filo di rame, con l'isolante rimosso, intorno ai denti del morsetto.

- Premere la leva per aprire la pinza dell'elettrodo (10). Inserire un asta dell'elettrodo nelle ganasce, e rilasciare. L'elettrodo deve essere saldamente afferrato, con il morsetto contattando la parte metallica pulita (non la parte rivestita)
- Collegare il saldatore alla rete elettrica

Saldatura

ATTENZIONE: l'utilizzo di un saldatore è correttamente una abilità tecnica. Un saldatore utilizzato in modo non corretto può essere molto pericoloso. Le informazioni qui presentato costituisce una guida generale. Se non siete del tutto sicuri nella vostra capacità di utilizzare questo strumento in modo sicuro NON USARLO.

- Spostare l'interruttore On / Off (2) nella posizione 'I' (che si trova sul retro del saldatore)
- Tenere il porta elettrodo (8) in una mano e la mascherina facciale (13) nell'altra
- Posizionare l'asta ad un angolo di circa un'angolazione di 80° dalla superficie con la punta in circa 30 mm via dal metallo
- Tenere la Maschera da saldatura sul viso e toccare la barra contro il metallo
- Un arco deve colpire tra il metallo, e la punta. Prova a tenere la punta dell'asta a una certa distanza dal metallo uguale allo spessore dell'asta. Mantenere l'arco per 1-2 secondi, poi spostare l'asta via
- Lasciare che la saldatura si raffreddi leggermente, e spostare la maschera lontano dal viso. Se le impostazioni erano corrette, un "punto" di saldatura dovrebbe essere stato formato
- Se la saldatura non ha completamente penetrato il metallo, aumentare l'impostazione della tensione. Se il buco è stato fatto nel metallo, ridurre l'impostazione della corrente
- Praticare il "punto" di saldatura fino a quando si è sicuri di usare la macchina, e selezionando le impostazioni
- Per formare una saldatura a "cucitura", mantenere l'arco più a lungo, e spostare lentamente l'asta in avanti allo stesso tempo. La velocità alla quale viene spostata l'asta è fondamentale per ottenere una buona saldatura
- Se le impostazioni della macchina sono corrette, l'arco deve essere costante, e produrre un suono crepitante. Siate consapevoli che dovrete spostare gradualmente l'elettrodo morsetto più vicino al metallo mentre l'asta viene utilizzata
- Una volta che il cordone di saldatura è stato realizzato, rimuovere l'eccesso e schizza con una spazzola a martello metallica. Non tentare di saldare su pelle al meno che adeguatamente pulite
- Creazione di saldature pulite, di alta qualità è un'abilità che richiede tempo da dominare. La pratica e una buona preparazione dovrebbe risultare in saldature soddisfacenti

Accessori

- Una serie di altri accessori e materiali di consumo, tra cui Casco Saldatori (868520, 934295 e 757060), Martellini per saldatori (515858), Grembiule (633505) e Guanti (282389), sono disponibili presso il rivenditore Silverline. Pezzi di ricambio sono disponibili presso tools.paresonline.com

Manutenzione

⚠ **ATTENZIONE:** Rimuovere sempre la spina dalla presa di corrente prima di eseguire qualsiasi operazione di manutenzione / pulizia.

- Se il cavo di alimentazione viene danneggiato o usurato deve essere sostituito da un tecnico qualificato, con un cavo pari o superiore capacità di corrente al cavo originale montato
- Se il fusibile salta interno, deve essere sostituito con un fusibile di esattamente lo stesso tipo e come originariamente montato. Se il fusibile brucia subito, è probabile per indicare una condizione di guasto e un tecnico dovrebbe essere consultato immediatamente

Ispezione generale

- Controllare regolarmente che tutte le viti di fissaggio siano serrate
- Controllare il cavo di alimentazione dello strumento, prima di ogni utilizzo, per danni o usura. Le riparazioni devono essere eseguite da un centro assistenza autorizzato Silverline. Questo consiglio vale anche per i cavi di prolunga utilizzati con questo strumento

Pulizia

- Tenere la macchina pulita in ogni momento. Lo sporco e la polvere potrebbero consumare le parti interne più velocemente, accorciando la durata della macchina. Pulire il corpo della macchina con una spazzola morbida o un panno asciutto. Se disponibile, utilizzare aria compressa pulita, asciutta, per soffiare attraverso i fori di ventilazione
- Pulire il rivestimento dello strumento con un panno morbido inumidito con un detergente delicato. Non usare alcol, benzina o detergenti forti
- Non utilizzare sostanze caustiche per la pulizia delle parti in plastica

Conservazione

- Conservare con cura questo strumento in un luogo sicuro e asciutto fuori dalla portata dei bambini

Smaltimento

Rispettare sempre le normative nazionali per lo smaltimento di strumenti di potere che non sono più funzionali e non sono vitali per la riparazione.

- Non gettare utensili elettrici o apparecchiature elettriche ed elettroniche di altri rifiuti (RAEE), con i rifiuti domestici
- Contattare l'autorità locale di smaltimento rifiuti per informazioni sul modo corretto di smaltire elettrooutensili

Risoluzione dei problemi

Problema	Possibile causa	Soluzione
Assenza di alimentazione	Interruttore di rete o il fusibile bruciato operato	Controllare che il circuito è in grado della corrente necessaria quindi reimpostare circuito di rete
	Fusibile interno bruciato	Fate sostituire il fusibile da un elettricista qualificato
Durante l'uso il saldatore smette di funzionare	Ciclo di lavoro superato e indicatore di surriscaldamento (6) si accende	Lasciare il saldatore per 20-30 minuti per raffreddare
Saldatura di pessima qualità	Impostazione corrente non corretta	Regolare quadrante della corrente (3)
	Asta elettrodo sbagliato / bastone	Sostituire l'asta elettrodo / bastone
	Messa a terra povera sul pezzo	Controllare la morsa a terra (8). Assicurarsi che non c'è alcun grasso, vernice o altro rivestimento superficiale che potrebbe causare un collegamento elettrico difettoso con il pezzo

Garanzia Silverline Tools

Questo prodotto Silverline è protetto da una garanzia di 3 anni

Per attivare la garanzia di 3 anni è necessario registrare il prodotto sul sito www.silverlinetools.com entro 30 giorni dalla data d'acquisto. La data d'inizio del periodo di garanzia corrisponde alla data d'acquisto riportata sullo scontrino di vendita.

Registrazione dell'acquisto

Accedere al sito: silverlinetools.com e selezionare il tasto Registrazione per inserire:

- Informazioni personali
- Dettagli del prodotto e informazioni sull'acquisto

Una volta che queste informazioni sono state inserite, il vostro certificato di garanzia sarà inviato per posta elettronica nel formato PDF. Si prega di stampare e conservare il Certificato insieme alla ricevuta d'acquisto.

Termini & condizioni

Il periodo di garanzia decorre dalla data dell'acquisto presso il rivenditore indicata sulla ricevuta d'acquisto.

SI PREGA DI CONSERVARE LA RICEVUTA D'ACQUISTO

Nel caso in cui il prodotto risultasse difettoso entro 30 giorni dalla data d'acquisto, sarà necessario restituirlo al punto vendita presso cui è stato acquistato, presentando la ricevuta e spiegando chiaramente la natura del difetto riscontrato. Il prodotto difettoso sarà sostituito o sarà rimborsato l'importo d'acquisto.

Nel caso in cui il prodotto risultasse difettoso dopo 30 giorni dalla data d'acquisto, sarà necessario inviare una richiesta di indennizzo in garanzia a:

Silverline Tools Service Centre

PO Box 2988

Yeovil

BA21 1WU, GB

Le richieste di indennizzo devono essere presentate durante il periodo della garanzia.

Affinché la richiesta sia approvata, è necessario presentare anche la ricevuta d'acquisto originale, indicando il luogo e la data dell'acquisto del prodotto e il proprio nome e indirizzo.

Sarà necessario inoltre fornire una descrizione dettagliata del guasto riscontrato.

Le richieste effettuate durante il periodo di garanzia saranno verificate da Silverline Tools per stabilire se il difetto del prodotto è dovuto a problemi di materiali o di lavorazione.

Le spese di spedizione non saranno rimborsate. Tutti i prodotti devono essere spediti puliti e in condizioni tali da garantire l'esecuzione della riparazione in modo sicuro. I prodotti devono essere imballati con cura per evitare danni o lesioni durante il trasporto. Silverline Tools si riserva il diritto di non accettare prodotti spediti in condizioni non idonee o non sicure.

Le riparazioni saranno eseguite da Silverline Tools o da un centro di riparazione autorizzato.

La riparazione o la sostituzione del prodotto non estende o rinnova il periodo di garanzia.

Nel caso in cui determini che il prodotto e il difetto riscontrato sono coperti dalla garanzia, Silverline Tools provvederà a riparare l'utensile gratuitamente (esclusi i costi di spedizione) o, a propria discrezione, a sostituirlo con un nuovo utensile.

Gli utensili o le parti trattenuti da Silverline Tools in cambio di un prodotto o componente sostitutivo diventano proprietà di Silverline Tools.

La riparazione o la sostituzione di un prodotto in garanzia estende i diritti del consumatore previsti per legge, senza modificarli.

Cosa copre la garanzia:

La riparazione del prodotto, nel caso in cui Silverline Tools determini che il problema sia dovuto a difetti dei materiali o difetti di lavorazione riscontrati durante il periodo della garanzia.

Nel caso in cui un componente non sia più disponibile o fuori produzione, Silverline Tools si riserva il diritto di sostituirlo con un componente adeguato.

Prodotti acquistati e utilizzati all'interno dell'Unione Europea.

Cosa non copre la garanzia:

La Garanzia Silverline Tools non copre le riparazioni se il difetto è stato causato da:

La normale usura dei componenti per via dell'utilizzo del prodotto come indicato nelle istruzioni d'uso (ad esempio, lame, spazzole, cinghie, lampadine, batterie, ecc.).

La sostituzione di accessori forniti a corredo, come ad esempio punte, lame, fogli abrasivi, dischi di taglio e altri componenti correlati.

I danni accidentali, causati dall'uso improprio, dall'abuso e dalla manipolazione, conservazione e cura inadeguata dell'utensile da parte del proprietario.

L'uso del prodotto per fini non domestici.

La modifica o alterazione del prodotto.

Difetti causati dall'uso di parti e accessori che non siano componenti originali Silverline Tools.

Installazione difettosa (fatto salvo quando l'installazione viene eseguita da Silverline Tools).

Riparazioni o alterazioni eseguite da terze parti che non siano la Silverline Tools o i centri di riparazione autorizzati da quest'ultima.

Richieste diversi dal diritto alla correzione degli errori con lo strumento denominato in queste condizioni di garanzia non sono coperti dalla garanzia.

Garanzia della batteria

Le batterie Silverline sono garantite per 6 giorni. Se un difetto si verifica su una batteria registrata durante il periodo di garanzia della batteria, a causa di materiale o di difetto di fabbricazione, Silverline sostituirà gratuitamente. Questa garanzia non si applica ad uso commerciale né si estende alla normale usura o danni a seguito di incidenti, abuso o uso improprio.

Dichiarazione di conformità CE

Il sottoscritto: Sig. Darrell Morris

come autorizzato da: Silverline Tools

Dichiara che il prodotto:

Questa dichiarazione è stata emessa unicamente sotto alla responsabilità del produttore.

L'obiettivo della dichiarazione è in conformità con la Legislazione di Armonizzazione pertinente dell'Unione.

Codice di identificazione: 846386

Descrizione: 100A MMA Kit Saldatrice ad Invertitore

Si conforma alle seguenti direttive

- Direttiva macchine 2006/42/CE
- Direttiva compatibilità elettromagnetica 2014/30/UE
- Direttiva RoHS 2011/65/UE

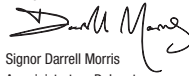
- EN60974-1:2012
- EN60974-10:2014

Organismo informato: TÜV SÜD Product Service

La documentazione tecnica è mantenuta da: Silverline Tools

Data: 18/07/2016

Firma:



Signor Darrell Morris

Amministratore Delegato

Nome e indirizzo del fabbricante:

Powerbox International Limited, N° Società 06897059. Indirizzo registrato: Powerbox, Boundary Way, Lufton Trading Estate, Yeovil, Somerset BA22 8HZ, Regno Unito.

Introductie

Hartelijk dank voor de aanschaf van dit Triton- gereedschap. Deze instructies bevatten informatie die u nodig hebt voor een veilige en doeltreffende bediening van dit product. Dit product heeft unieke kenmerken. Zelfs als u bekend bent met gelijksoortige producten dient u deze handleiding zorgvuldig door te lezen, zodat u in staat bent alle voordelen te benutten. Houd deze handleiding bij de hand en zorg ervoor dat alle gebruikers van dit gereedschap de handleiding hebben gelezen en volledig hebben begrepen.

Beschrijving symbolen

Op het gegevensplaatje van uw gereedschap kunnen zich symbolen bevinden. Deze symbolen belangrijke informatie over het product of instructies voor het gebruik.



Draag gehoorbescherming
Draag een veiligheidsbril
Draag een stofmasker
Draag een veiligheidshelm



Draag handschoenen



Lees de handleiding



Gebruik niet de regen of in vochtige omstandigheden!



Gevaarlijke elektrische spanning!



Giftige lasgassen!



Gevaar ultraviolette straling!



Warme oppervlakken – RAAK NIET AAN!



Brandgevaar!



Voorzichtig!



Beschermingsklasse I (aardgeleiding)



Voldoet aan de relevante wetgeving en veiligheidsnormen



Milieubescherming

Elektrische producten mogen niet worden afgevoerd met het normale huisvuil. Indien de mogelijkheid bestaat, dient u het product te recyclen. Vraag uw gemeente of winkeller om advies betreffende recyclen

Specificaties

Ingangsspanning:.....	230 V~, 50 Hz
Stroomaansluiting:.....	16 A
Ingangsstroom:.....	230 V: 17,2 A (piek), 12,1 A (effectief)
Uitgangsstroom bereik:.....	25-100 A
Gebruikscyclus:.....	50% @ 100 A, 60% @ 91 A, 100% @ 71 A
Onbelaste uitgangsspanning:.....	60 V
Uitgangsstroom:.....	22,8 V(71 A), 24 V(100 A)
Elektrode formaat:.....	1,6 – 3,2 mm
Isolatieklasse:.....	H
Beschermingsgraad:.....	IP21S
Lasdikte bereik (staal):.....	1 – 6 mm
Beschermingsklasse:.....	⊕
Electrode kabellengte:.....	2,0 m
Aardekabel lengte:.....	1,5 m
Stroomsnoer lengte:.....	2,0 m
Afmetingen (L x B x H):.....	350 x 140 x 240 mm
Gewicht:.....	4,6 kg

Met het oog op onze aanhoudende productontwikkeling kunnen de specificaties van Silverline producten zonder voorafgaande kennisgeving worden gewijzigd.

Algemene veiligheid

WAARSCHUWING: Bij het gebruik van elektrische machines horen basis veiligheidsvoorzorgmaatregelen opgevolgd te worden om de kans op brand, elektrische schokken en persoonlijk letsel te minimaliseren. Lees de instructies voor gebruik volledig door en bewaar deze bij de machine voor toekomstig gebruik.

WAARSCHUWING: De machine is niet geschikt voor gebruik door personen met een verminderde mentale of fysieke bekwaamheid of een gebrek aan ervaring, tenzij de persoon wordt begeleid of geïnstrueerd door een persoon verantwoordelijk voor de veiligheid

LET OP: Het gebruik van de machine voor doeleinden, anders dan waarvoor de machine is bestemd resulteert mogelijk in gevaarlijke situaties en serieus persoonlijk letsel

De term "elektrisch gereedschap" in alle hieronder vermelde waarschuwingen heeft betrekking op uw elektrische gereedschap dat op de stroom is aangesloten (met een snoer) of met een accu wordt gevoed (snoerloos).

- 1 - Veiligheid in de werkruimte** - Rommelige en donkere ruimtes leiden vaak tot ongelukken.
- 2 - Denk aan de werkplaatsomgeving**
 - Stel gereedschap niet bloot aan regen
 - Gebruik gereedschap niet in vochtige of natte omstandigheden
 - Houdt uw werkplaats goed verlicht
 - Gebruik gereedschap niet in de nabijheid van ontvlambare vloeistoffen of gassen
- 3 - Bescherm uzelf tegen elektrische schok** – Voorkom het contact met geaarde oppervlakken (als leidingen, radiatoren, koelkasten).
- 4 - Houd kinderen en omstanders uit de buurt** – Laat mensen, vooral kinderen, de machine en verlengsnoeren niet aanraken en houd ze op afstand
- 5 - Berg gereedschap wat niet in gebruik is op** – Berg gereedschap dat niet in gebruik is op een droge plek, buiten het bereik van kinderen op
- 6 - Forceer gereedschap niet** – Uw machine functioneert optimaal op de bestemde gebruikssnelheid
- 7 - Gebruik de juiste machine** – Forceer kleine machine niet voor het uitvoeren van grote werkzaamheden.
Gebruik gereedschap niet voor doeleinden waarvoor ze niet bestemd zijn.

- 8 - **Draag de juiste uitrusting**
- Loshangende kleding en sieraden kunnen door bewegende onderdelen gegrepen worden
 - Het dragen van niet-slippende schoenen is aangeraden voor buitenwerk
 - Bedek lang haar

9 - **Draag de benodigde beschermingsmiddelen**

- Draag een veiligheidsbril
- Draag een stofmasker bij stof producerende werkzaamheden

WAARSCHUWING: Wanneer de beschermende uitrusting niet gedragen wordt is de kans open ongeval groter en is de ernst van voorvallende ongevallen groter

10 - **Sluit gereedschap op een stof-ontginningssysteem aan** – Wanneer de machine is voorzien van een stofpoort, sluit u deze op een ontginningssysteem aan

11 - **Misbruik het stroomsnoer niet** – Trek nooit aan het stroomsnoer om de stekker uit het stopcontact te halen. Houdt het stroomsnoer uit de buurt van warmte, olie en scherpe randen. Beschadigde snoeren vergroten de kans op elektrische schok

12 - **Klem uw werk vast** – Klem uw werkstuk wanneer mogelijk stevig vast

13 - **Reik niet te ver** - Blijf altijd stevig en in balans staan

14 - **Onderhoud uw gereedschap zorgvuldig**

- Het scherp en schoon houden van snijgereedschap zorgt voor een gemakkelijker machine controle en een kleinere kans op het buigen en breken
- Volg smeerinstructies op
- Controleer stroomsnoeren regelmatig op beschadiging en laat deze bij een geautoriseerd service center repareren
- Laat stroomsnoeren bij een geautoriseerd service center vervangen
- Houdt handvaten schoon, droog en vrij van olie en vet

WAARSCHUWING: Velen ongelukken worden veroorzaakt door slecht onderhouden machines

15 - **Ontkoppel machines van de stroombron** – wanneer niet in gebruik, voor onderhoud en bij het vervangen van accessoires ontkoppelt u de machine van de stroombron

16 - **Verwijder sleutels** – Maak van het controleren op gereedschapssleutels een gewoonte

17 - **Voorkom onnodig starten** – Zorg ervoor dat de aan-/uitschakelaar bij het aansluiten op de stroombron, het plaatsen van een accu of het vervoeren in de uit-positie staat

WAARSCHUWING – Het onnodig starten van de machine kan leiden tot serieuze verwondingen

18 - **Het gebruik van buiten verlengsnoeren** – Wanneer gereedschap buiten gebruikt wordt, maakt u gebruik van verlengsnoeren, geschikt voor buiten. Dit vermindert de kans op elektrische schok

19 - **Blijf alert**

- Houd uw aandacht op het werk, gebruik uw gezonde verstand en gebruik machines niet wanneer vermoeid
- Gebruik het elektrisch gereedschap niet wanneer u vermoeid bent of onder invloed van drugs, alcohol of medicijnen

WAARSCHUWING: Onoplettendheid tijdens het bedienen van elektrisch gereedschap kan leiden tot ernstig letsel

20 - **Controleer beschadigde onderdelen**

- Controleer voor verder gebruik of de machine als bestemd functioneert
- Controleer bewegende delen op uitlijning, beschadiging, montage en andere gesteldheden die gebruik van de machine mogelijk beïnvloeden
- Een beschadigde beschermkap hoort bij een geautoriseerd service center gerepareerd of vervangen te worden, tenzij anders vermeld in deze handleiding
- Laat defecte schakelaars bij een geautoriseerd service center repareren

WAARSCHUWING: Gebruik de machine niet met een defecte aan-/uitschakelaar. De schakelaar hoort voor gebruik gerepareerd te worden

21 - **Laat uw machine te allen tijde door een gekwalificeerd persoon repareren** – Laat uw machine te allen tijde door een gekwalificeerd persoon repareren om gevaarlijk gebruik te vermijden

WAARSCHUWING: Maak bij onderhoud enkel gebruik van identieke vervangende onderdelen

WAARSCHUWING: Laat een beschadigd stroomsnoer door de verkoper of een geautoriseerd service center vervangen

22 - **Stekker horen overeen te komen met het te gebruiken stopcontact**

- Steckers mogen niet aangepast worden. Gebruik geen adapters op geaarde machines. Overeenkomende steekers en stopcontacten verminderen de kans op elektrische schok

23 - **Indien het onovermijdelijk is elektrisch gereedschap te gebruiken in een vochtige omgeving, gebruik dan een energiebron met een aardlek beveiliging (Residual Current Device).** Het gebruik van een RCD vermindert het risico op een elektrische schok

WAARSCHUWING: Voordat u de machine op de stroombron aansluit controleert u of het voltage van de stroombron overeenkomt met het voltage op het gegevensplaatje op de machine. Een stroombron met een hogere spanning kan zorgen voor ernstige verwondingen aan de gebruiker en schade aan de machine. Een stroombron met een lagere spanning kan de motor beschadigen. Plug de stekker bij twijfel niet in de stroombron.

Gepolariseerde steekers (enkel voor Noord-Amerika) Voor het verminderen van het risico op elektrische schok, is de eenheid voorzien van een gepolariseerde stekker (Een blad is breder dan de andere). De stekker past slechts op één manier in een gepolariseerd contactpunt. Wanneer de stekker niet volledig in het contactpunt past, draait u de stekker om. Wanneer de stekker nog steeds niet past, neemt u contact op met een gekwalificeerd elektricien. De plug mag in geen enkele manier aangepast worden.

Las veiligheid

- Lassen produceert giftige dampen en kan het zuurstofniveau in de werkuimte verminderen. Werk altijd in een goed geventileerde ruimte. Adem de lasdampen niet in, gebruik indien nodig een geschikt gasmasker
- Sommige metalen delen kunnen gegalvaniseerde, loden, cadmium of andersoortige coatings hebben. Wanneer u probeert door dit soort coatings heen te lassen, kan dit leiden tot zwaar giftige dampen. Verwijder altijd alle soorten coating voordat u gaat lassen
- Als u merkt dat uw longen, keel of ogen geïrriteerd raken tijdens het lassen, STOP DAN ONMIDDELIJK en ga de frisse lucht in
- Lassen produceert extreem hoge niveaus Uv-licht. Om oogbeschadiging te voorkomen, dient u ALTIJD een goedgekeurd lasmasker te dragen. Kijk onder geen beding rechtstreeks in de boog
- Het licht wat geproduceerd wordt bij het lassen kan erg aantrekkelijk zijn om naar te kinderen, zeker voor kinderen. Voorkom het kijken in het licht van uzelf en anderen in het werkgebied zonder het dragen van bescherming
- Als de mogelijkheid bestaat dat er anderen in het werkgebied komen, zet dan een geschikt scherm neer om hen te beschermen tegen het verblindende licht
- Wanneer de filterglazen tekenen van beschadiging vertonen, vervangt u deze onmiddellijk
- Om huidbeschadigingen te voorkomen, dient u ALTIJD een geschikte, brandwerende jas met lange mouwen te dragen, evenals hittebestendige handschoenen en een hoofddeksel. Zorg dat u bedekt blijft
- Verwijder altijd alle ontvlambare materialen (bijv. sigarettenaansteker, lucifers) uit uw kleding voordat u gaat lassen
- Houd altijd een brandblusapparaat in de buurt wanneer u aan het lassen bent. Vonken en toevallige contacten kunnen brand veroorzaken
- Vonken kunnen ontvlambare materialen in de werkomgeving doen ontbranden. Verwijder alle ontvlambare materialen uit de werkomgeving voordat u met het lassen begint
- Las alleen alle werkstukken en de werkruimte droog zijn
- Las geen verzegelde containers (bijv. benzinetanks, luchtanks, olievat). Verzegelde containers kunnen onverwachts uit elkaar barsten door de hitte die door het lassen wordt veroorzaakt
- Denk goed om overgebrachte warmte. Metalen delen kunnen de warmte van het werkgebied wegleiden en leiden tot ontbranding van brandbare materialen
- Denk erom dat gelaste delen gedurende enige tijd na het lassen warm blijven. Laat volledig afkoelen voordat u ermee werkt of het werkstuk onbeheerd laat staan
- Las nooit bij ontvlambare gassen, vloeistoffen of stof
- Zorg er altijd voor dat er een verantwoordelijke persoon bij u in de buurt is om u te waarschuwen indien er brand ontstaat, of om hulp te roepen in noodsituaties.
- Het gebruik van lasmachines creëert krachtige magnetische velden. Dit kan de werking van gevoelige elektronische apparatuur ontregelen. Draggers van pacemakers dienen een arts te raadplegen alvorens een lasmachine te gebruiken.

- Overbelast de stroomtoevoer niet. Controleer of uw stroombedrading de vereiste stroom veilig kan leveren (zie specificatie)

Onderdelenlijst

1	Draaghandvat
2	Aan-/uitschakelaar
3	Stroom controleknop
4	Elektrode contact
5	Aardecontact
6	Oververhittingsindicator
7	Stroomindicator
8	Aardeklem
9	Aardekabel aansluiting
10	Elektrodehouder
11	Elektrodekabel aansluiting
12	Elektrodehouder gleuf
13	Laskap
14	Filterframe
15	Lasglas
16	Spatglas
17	Frameklemmen (x 2)
18	Handvatmoeren (x 3)
19	Handvatbouten (x 3)
20	Framepinnen (x 2)
21	Kaphandvat
22	Hamerborstel

Gebruiksdoel

Handmatige enkel-fase lasmachine met elektrode lasvasten, voor het creëren van lasverbindingen op ijzerhoudende metalen. Vereist een Europese 16 A CEE 7/3 of 7/5 geaarde stroomaansluiting. Verwijder de 7/7 stekker om de machine aan te sluiten op een 16 A hoge stroom netstroom aansluiting in GB.

Het uitpakken van uw gereedschap

- Pak uw toestel / gereedschap uit. Inspecteer het en zorg dat u met alle kenmerken en functies vertrouwd raakt
- Controleer of alle onderdelen aanwezig zijn en in goede staat verkeren. Als er onderdelen ontbreken of beschadigd zijn, zorg dan dat deze vervangen worden voor u dit toestel / gereedschap gebruikt

Voor gebruik

⚠ WAARSCHUWING: Ontkoppel de machine van de stroombron voordat u accessoires wisselt of enige aanpassingen maakt

WAARSCHUWING: Zorg te allen tijde voor de aanwezigheid van een geschikte brandblusser in de buurt van het werkgebied

Kap samenstelling

Stel de kap als afgebeeld samen.

1. Gebruik de kapklemmen (pijl) om het plat verpakte laskap (13) in de normale vorm te monteren

2. Bevestig het handvat (21) met gebruik van de bouten en moeren (18+19). Het handvat dient aan de binnenkant van de kap gemonteerd te worden om de hand van de gebruiker te beschermen tegen spatten
3. Stel het filterframe (14) met het lasglas (15) en spatglas (16) als afgebeeld samen. Zorg ervoor dat het spatglas het lasglas beschermt tegen lasspatten. Als het lasglas aan de buitenzijde geïnstalleerd wordt, raakt het mogelijk beschadigd en worden de ogen niet optimaal beschermd tegen ultraviolette straling
4. Monteer de lensassenstelling met gebruik van de framepinnen (20) en frameklemmen (17) op de kap

⚠ Het aansluiten op een stroombron

Let op: De machine is geaard en dient enkel op een stroombron met aardeaansluiting aangesloten te worden. Gebruik de machine niet zonder aardeaansluiting

WAARSCHUWING: De machine vereist een 16 A netstroom aansluiting en is niet geschikt voor de aansluiting op een 13 A GB netstroom aansluiting wanneer gebruikt op 100 A. De machine is daarom niet voorzien van een GB stekker. De machine is voorzien van een CEE 7/7 geaarde 16 A stekker, geschikt voor Duitsland, Frankrijk, Nederland en andere landen met dezelfde CEE 7/4 en 7/5 stopcontact normen. Wanneer u geen geschikt stopcontact, compatibel met een CEE 7/7 stekker, heeft, hoort de stekker vervangen te worden met een geschikt stekker voor uw land. De stekker hoort, afhankelijk van de landelijke wetgeving, door een gekwalificeerd elektricien vervangen te worden. Een omvormer is mogelijk als alternatief verkrijgbaar voor het aanpassen van de CEE 7/7 stekker. De omvormer hoort geaard te zijn en in staat zijn 16 A te hanteren.

Let op: Voor gebruik in GB heeft u een contact met hoge elektrische spanning nodig, geschikt voor het gebruik van een lasmachine met de vereiste van 16 A. Het stopcontact hoort door een gekwalificeerd elektricien geïnstalleerd te worden. Een geschikte 16 A stekker (589694) en stopcontact (571518) zijn verkrijgbaar bij uw Silverline handelaar. Het aansluiten van een 32 A stekker (427717) en contact (457049) is mogelijk kiesbaar om de machine later naar een krachtiger model te upgraden.

Gebruik de lasmachine **NIET** zonder aardeaansluiting

Sluit de lasmachine **NIET** op een stopcontact met een waarderings lager dan 16 A aan

Gebruik **GEEN** verlengsnoer, niet in staat de 16 A te hanteren. Rol de snoer volledig af

BELANGRIJK: Het is aanbevolen gebruik te maken van een stekker en contact combinatie zodat de machine volledig geïsoleerd kan worden wanneer vereist

Opmerkingen:

- De lasmachine dient op een stroombron met een aardlekschakelaar en via een stroomkring beschermd door een aardlekschakelaar aangesloten te worden
- Verwijs naar de specificaties voor informatie betreft maximale stroomsterktes
- Sluit de machine bij enige twijfel niet aan. Vraag hulp aan een professionele elektricien

Lasstaaf selectie

- Voor het verkrijgen van hoogwaardige lasverbindingen is het selecteren van de geschikte lasstaaf erg belangrijk. Lasstaven zijn verkrijgbaar in verschillende maten en materialen en met verschillende coatings
- Verwijs naar de richtlijnen van de staafabrikant voor de juiste staafselectie

Stroom en elektrode selectie schema

Elektrode/staaf diameter	Lasstroom
1,6 mm	40-50 A
2,0 mm	50-70 A
2,5 mm	75-100 A
3,2 mm	110-130 A
4,0 mm	140-200 A

Gebruik

⚠ WAARSCHUWING: Tijdens het gebruik van de machine is het dragen van een lasmasker, lashandschoenen en warmtebestendige kleding aanbevolen

⚠ WAARSCHUWING: Tijdens lassen komen mogelijk giftige gassen vrij. Het dragen van een geschikt stofmasker is aanbevolen. Lees de instructies van het lasmasker en neem contact op met uw plaatselijke instantie betreffende veiligheids- en gezondheidsinformatie

WAARSCHUWING: Inspecteer de machine voor gebruik op slijtage en beschadiging. Wanneer de machine beschadigd is, dient deze gerepareerd te worden voordat deze gebruikt kan worden

Let op: Controleer voor gebruik of de behuizing en alle kappen gesloten zijn

Let op: Plaats de eenheid op een stevige, vlakke ondergrond. Zorg voor een minimale vrije ruimte van 500 mm rondom de eenheid voor het verkrijgen van geschikte ventilatie

Het in- en uitschakelen van de machine

- Schakel de machine in door de aan-/uitschakelaar (2) aan de voorzijde van der machine in de "I" stand te plaatsen
- Schakel de machine uit door de controleknop in de uit-stand te zetten

Stroom selectie

- Voor het verkrijgen van hoogwaardige lasverbindingen dient de stroom controleknop (3) juist gesteld worden
- Draai de knop rechtsom voor het verhogen van de lassingspanning. Draai de knop linksom voor het verlagen van de lassingspanning

Gebruikscyclus

- De machine is niet geschikt voor constant lassen met hoge stroomstanden. Overmatig continu gebruik resulteert in oververhitting en beschadiging van de interne onderdelen
- De machine is voorzien van een thermische overbelastingbeveiliging. Wanneer de machine oververhit raakt en/of wanneer de gebruikscyclus overschreden wordt, wordt de machine automatisch uitgeschakeld
- De gebruikscyclus (zie specificaties) duidt op het aantal minuten dat de machine kan lassen in een totale periode van 10 minuten
- Bij een gebruikscyclus van 30% kan de machine 3 minuten gebruikt worden met een afkoelperiode van 7 minuten
- Wanneer de gebruikscyclus overschreden wordt, schakelt de machine automatisch uit
- Het gebruiken van een lage lassingspanning met een goede ventilatie zorgt voor een optimale gebruikscyclus
- Wanneer de gebruikscyclus limiet bereikt is, brand het thermische overbelasting indicatielampje. Het lampje dooft wanneer de machine volledig afgekoeld is en klaar is voor gebruik
- Het is aanbevolen de machine voor een verdere 3 minuten te laten afkoelen nadat het lampje gedoofd is, voor het verzekeren van een volledige afkoeling

Lasvoorbereiding

- Zorg ervoor dat de te verbinden oppervlakten schoon en vrij van roest, verf en andere coatings zijn
- Alle onderdelen dienen voldoende ondersteund te worden, met een gat van ongeveer 1 mm waar de lasverbinding gevormd wordt
- Verwijder alle licht ontvlambare materialen uit de werkplekken
- Bevestig de aardeklem (8) op een schoon deel van één van de oppervlakken

Let op: Verbeter de aansluiting van de aardeklem op het werkstuk door een stuk koperdraad, zonder isolatie, rond de klemtanden te binden

- Knijp de hendel in om de elektrodeklem (10) te openen. Plaats een elektrode tussen de kaken en laat de klem los. De elektrode dient stevig vastgeklemd te worden met de klem in contact met het metalen deel van de staaf, niet het gecoatete deel
- Een gekwalificeerd persoon dient in de buurt van de lasser te staan met een geschikte en werkende brandblusser klaar voor gebruik
- Sluit de machine op de stroombron aan

Lassen

WAARSCHUWING: Een juist gebruik van de lasmachine is een technische vaardigheid. Een onjuist gebruikte lasmachine is erg gevaarlijk. De onderstaande informatie dient enkel als richtlijn gebruikt te worden. Wanneer u enigszins twijfelt over uw vaardigheden, gebruik de machine dan niet

1. Schakel de machine in door de aan-/uitschakelaar (2) aan de voorzijde van der machine in de "I" stand te plaatsen

2. Houdt de elektrodehouder (10) in de ene hand en de laskap (13) in de andere hand
3. Plaats de staaf in een hoek van ongeveer 80° op het werkkoppervlak, met de punt ongeveer 30 mm van het metaal af
4. Houdt de kap over uw gezicht en tik de staaf tegen het metaal
5. Een boog ontstaat tussen de staaf en de punt. Probeer een constant afstand tussen de lasstaaf en het werkstuk te houden, gelijk aan de diameter van de lasstaaf. Behoud een boog voor 1 a 2 seconden voordat u de staaf wegneemt
6. Laat de las licht afkoelen en neem de kap van uw hoofd. Als de instellingen juist zijn, ontstaat er een nette ronde punt
7. Wanneer de las het metaal niet volledig doorgegaan is, verhoogd u de lassingspanning. Wanneer er een gat in het metaal gebrand is, verlaagd u de lassingspanning
8. Oefen het puntlassen totdat u comfortabele, hoogwaardige puntlassen maakt
9. Voor het verkrijgen van een naadlas, houdt u de boog langer aan en beweegt u de lasstaaf langzaam over het pad. De snelheid is cruciaal bij het verkrijgen van hoogwaardige resultaten
 - Met de juiste instellingen krijgt u een stabiele boog en produceert de machine een krakend geluid. De elektrode klem dient langzaam dichterbij het metaal gehouden te worden, waar de lasstaaf korter wordt
 - Wanneer de las voltooid is, verwijderd u overmatige spatten met gebruik van de lashamer of draadborstel. Las niet over lasrupsen tenzij deze juist schoongemaakt zijn
 - Het creëren van nette, hoogwaardige lasverbindingen is een vaardigheid en u heeft tijd nodig om deze vaardigheid onder de knie te krijgen. Oefening en goede voorbereiding helpen bij het maken van nette lasverbindingen

Accessoires

Verschillende accessoires en verbruiksmiddelen, waaronder laskappen (868520, 934295 en 757060), lashamers (515858), lasschorten (633505) en lashandschoenen (282389) zijn verkrijgbaar bij uw Silverline handelaar. Reserve onderdelen zijn verkrijgbaar op toolsparsenline.com

Onderhoud

⚠ WAARSCHUWING: Ontkoppel de machine van de stroombron voordat u de machine schoonmaakt of enig onderhoud uitvoert

- De stroom snoer dient, wanneer beschadigd, door een gekwalificeerde technicus vervangen te worden. Gebruik enkel gelijksoortige stroom snoeren
- Wanneer de interne zekering springt, vervangt u deze voor een gelijksoortige zekering. Wanneer deze zekering gelijk springt, is de machine mogelijk foutief en dient deze onmiddellijk door een technicus nagekeken en gerepareerd te worden

Algemene inspectie

- Controleer regelmatig of alle bevestigingsmiddelen nog goed vast zitten. Door vibratie kunnen ze na enige tijd los gaan zitten
- Inspecteer het stroom snoer voor elk gebruik op slijtage en beschadiging. Reparaties dienen uitgevoerd worden bij een geautoriseerd Silverline service center. Dit geldt tevens voor verlengsnoeren, gebruikt met de machine

Schoonmaak

- Houd uw machine te allen tijde schoon. Vuil en stof doen de interne onderdelen snel slijten, wat de levensduur aanzienlijk vermindert. Maak de machine met een zachte borstel of droge doek schoon. Gebruik wanneer mogelijk zuivere, droge perslucht om door de luchtgaten te blazen
- Maak de behuizing met een vochtige doek en een licht schoonmaakmiddel schoon. Gebruik geen alcohol, benzine of hardnekkig schoonmaakmiddel
- Gebruik geen bijtende stoffen voor het schoonmaken van plastic onderdelen

Opberging

- Berg de machine op een droge en veilige plek, buiten het bereik van kinderen op

Verwijdering

Bij de verwijdering van elektrische machines neemt u de nationale voorschriften in acht.

- Elektrische en elektronische apparaten en accu's mogen niet met uw huishoudelijk afval worden weggegooid
- Neem contact op met uw gemeente voor informatie betreffende de verwijdering van elektrisch gereedschap

Probleemopsporing

Probleem	Mogelijke oorzaak	Oplossing
Geen stroom	Geactiveerde stroombreker of gesprongen zekering	Controleer of de stroomkring in staat is de stroomsterkte te dragen en herstel de stroomkring
	Gesprongen interne zekering	Zorg ervoor dat de 400 V stand geselecteerd is met de machine aangesloten op een 400 V stroombron. Laat de zekering door een gekwalificeerde elektricien vervangen
De machine stopt plotseling tijdens gebruik	De gebruikscyclus wordt overschreden en het thermische overbelasting indicatielampje brand (6)	Laat de machine voor 20-30 minuten afkoelen
Slechte lasverbindingen	Onjuiste lasinstellingen	Verstel de stroomknop (3)
	Onjuiste elektrodestaaf	Vervang de elektrodestaaf
	Slechte aardeaansluiting op het werkstuk	Controleer de aardeklem (8). De aansluitingen dienen vrij te zijn van vuil, vet en verf om te zorgen voor een juiste aansluiting

Silverline Tools Garantie

Dit Silverline product komt met 3 jaar garantie.

Registreer dit product binnen 30 dagen van aankoop op www.silverlinetools.com om in aanmerking te komen voor 3 jaar garantie. De garantieperiode begint op de datum van aankoop op het ontvangstbewijs.

Het gekochte product registreren

Ga naar: silverlinetools.com, kies Registratie (registratie) en voer het volgende in:

- Uw persoonlijke gegevens
- De gegevens van het product en de aankoop

U ontvangt het garantiebewijs in PDF-vorm. Druk het af en bewaar het bij het product.

Voorwaarden

De garantieperiode gaat in vanaf de datum van aankoop op het ontvangstbewijs.

BEWAAR HET ONTVANGSTBEWIJS OP EEN VEILIGE PLAATS

Als dit product binnen 30 dagen van de aankoopdatum een fout heeft, breng het dan naar de winkelier waar u het heeft gekocht, met uw ontvangstbewijs, en met vermelding van de details van de storing. U kunt om een nieuwe vragen of om uw geld terug.

Als dit product na de periode van 30 dagen een fout heeft, stuur het dan naar:

Silverline Tools Service Centre

PO Box 2988

Yeovil

BA21 1WU, GB

Alle claims moeten binnen de garantieperiode worden ingediend.

U moet het originele ontvangstbewijs geven met de datum van aankoop, uw naam, adres en plaats van aankoop voordat er aan kan worden gewerkt.

U moet nauwkeurige gegevens verschaffen van de fout die verholpen moet worden.

Claims die binnen de garantieperiode worden ingediend, worden door Silverline Tools nagelopen om te kijken of het probleem een kwestie is van de materialen of de fabricage van het product.

De verzendkosten worden niet vergoed. De geretourneerde items moeten voor de reparatie in een redelijk schone en veilige staat verkeren en moeten zorgvuldig worden verpakt om schade en letsel tijdens het vervoer te voorkomen. Ongeschikte en onveilige leveringen kunnen worden afgewezen.

Al het werk wordt uitgevoerd door Silverline Tools of een officiële reparatiedienst.

De garantieperiode wordt niet door de reparatie of vervanging van het product verlengd.

Defecten waarvan wij beschouwen dat ze onder de garantie vallen, worden verholpen door middel van gratis reparatie van het gereedschap (exclusief verzendingskosten) of door vervanging door een gereedschap in perfecte staat van werking.

De ingehouden gereedschappen of onderdelen die zijn vervangen, worden het eigendom van Silverline Tools.

De reparatie of vervanging van het product onder garantie zijn voordelen die bijkomstig zijn aan uw wettelijke rechten als consument, en hebben daar geen invloed op.

Wat is gedekt:

De reparatie van het product, mits naar tevredenheid van Silverline Tools kan worden vastgesteld dat de gebreken het gevolg zijn van defecte materialen of fabrieksfouten binnen de garantieperiode.

Onderdelen die niet meer verkrijgbaar zijn en die niet meer worden vervaardigd worden door Silverline Tools vervangen door een functionele vervanging.

Gebruik van dit product in de EU.

Wat niet is gedekt:

Silverline Tools geeft geen garantie op reparaties als gevolg van:

Normale slijtage veroorzaakt door gebruik in overeenstemming met de bedieningsinstructies zoals zaagbladen, borstels, riemen, gloeilampen, batterijen enz.

De vervanging van geleverde accessoires zoals boortjes, zaagbladen, schuurvellen, snijschijven en aanverwante producten.

Accidentele schade, storingen veroorzaakt door nalatigheid in gebruik of verzorging, misbruik, verwaarlozing, onvoorzichtige bediening en hantering van het product.

Gebruik van het product voor andere doeleinden dan normaal huishoudelijk gebruik.

Alle soorten wijzigingen en modificaties van het product.

Gebruik van andere onderdelen en accessoires dan de originele onderdelen van Silverline Tools.

Defecte installatie (behalve wanneer geïnstalleerd door Silverline Tools).

Reparaties of wijzigingen die zijn uitgevoerd door anderen dan Silverline Tools of diens officiële reparatiediensten.

Behalve claims voor het recht op correctie of fouten van het gereedschap volgens de bepalingen van deze garantie zijn geen andere claims gedekt.

Accu garantie

Silverlineaccu's zijn voorzien van 30 dagen garantie. Wanneer er binnen de garantieperiode een fout optreedt dankzij een materiaal- of fabrieksfout, vervangt Silverline de accu gratis. Deze garantie heeft geen betrekking op commercieel gebruik en strekt zich niet uit tot normale slijtage of schade ten gevolge van een ongeluk, verkeerd gebruik of misbruik.

EG-verklaring van overeenstemming

De ondergetekende: Mr. Darrell Morris

Gemachtigd door: Silverline Tools

Verklaart dat

Deze verklaring wordt verstrekt onder de volledige verantwoordelijkheid van de fabrikant.

Het hierboven beschreven voorwerp is conform de desbetreffende communautaire harmonisatiewetgeving

Identificatienummer: 846386

Beschrijving: 100 A booglasmaschine

Voldoet aan de volgende richtlijnen:

- Machineryrichtlijn 2006/42/EG
- Elektromagnetische verenigbaarheid 2014/30/EU
- RoHS-richtlijn 2002/95/EG

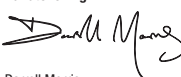
- EN60974-1:2012
- EN60974-10:2014

Keuringsinstantie: TÜV SÜD Product Service

De technische documentatie wordt bijgehouden door: Silverline Tools

Datum: 18-07-2016

Handtekening:



Darrell Morris

Algemeen directeur

Naam en adres van fabrikant:

Powerbox International Limited, handelsregister nummer 06897059. Geregistreerd adres: Powerbox, Boundary Way, Lufton Trading Estate, Yeovil, Somerset BA22 8HZ, Verenigd Koninkrijk

**3 Year Guarantee**

*Register online within 30 days.
Terms & Conditions apply

**Garantie de 3 ans**

*Enregistrez votre produit en ligne
dans les 30 jours. Sous réserve des
termes et conditions appliqués

**3 Jahre Garantie**

*Innerhalb von 30 Tagen online
registrieren. Es gelten die Allgemeinen
Geschäftsbedingungen

**3 años de garantía**

*Registre su producto online durante
los primeros 30 días. Se aplican
términos y condiciones

**3 anni di garanzia**

*Registrare il vostro prodotto on-line entro
30 giorni. Termini e condizioni si applicano

**3 jaar garantie**

*Registreer uw product binnen 30
dagen online. Algemene voorwaarden
zijn van toepassing

www.silverlinetools.com